



1.1N

Operating Instructions

Safety

- **Warning:** Do not dim a non-dim fixture.
- Do not service fixture until the appropriate service manual has been read and the unit has been completely de-energized.
- All fixtures are fuse protected.
- To prevent fire or shock hazard, do not expose the unit to water or moisture.
- Do not operate fixture without lamp installed. Operating the fixture without the lamp installed may result in damage to the ballast.
- Never carry energized fixtures with your hands close to the sockets or work with your hands near an exposed socket that is energized.
- Never remove lamps from the fixture or insert lamps into the fixture while it is energized.
- Service on the unit should be performed only by a qualified technician.
- In case of lamp failure:
 1. Turn fixture "OFF".
 2. Wait 30 seconds for ballast to reset.
 3. Install new lamp.
 4. Turn fixture "ON".

Owner's Record

- The serial number of this product can be found on the side of the main housing. You should note the model number and the serial number in the space provided and retain this book for future reference as a permanent record of your purchase.

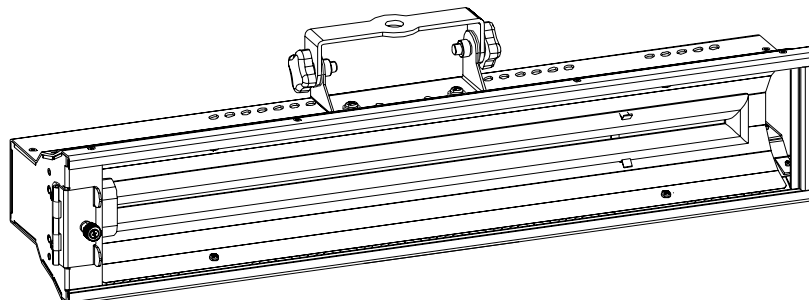
Model No. _____

Serial No. _____

Date of Purchase _____

Product Description

- The Brightline 1.1N is a 1-lamp, 55-watt, energy-efficient light fixture. This fixture combines high-frequency electronics with a state-of-the-art optical system to produce a soft, full-spectrum, flicker-free light source.



Installing the Yoke

1. Position yoke over mounting holes in fixture (Fig. 1).

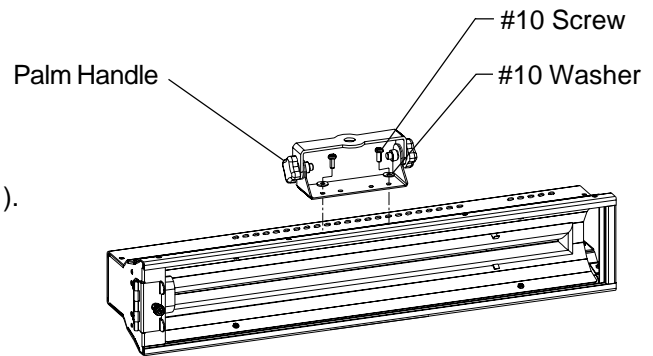


Figure 1

2. Thread #10-32 screw and flat washer into place as shown (Fig. 1).

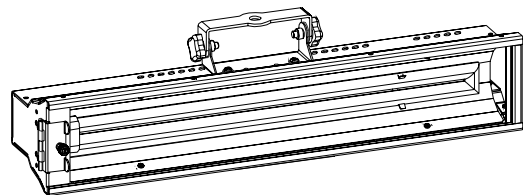


Figure 2

3. Repeat Step #2 for remaining screw and washer (Fig. 2).

Adjusting the Yoke

1. While firmly grasping fixture, loosen palm handles (Fig.3).
2. Adjust tilt of fixture, as desired.
3. Retighten tee handles.

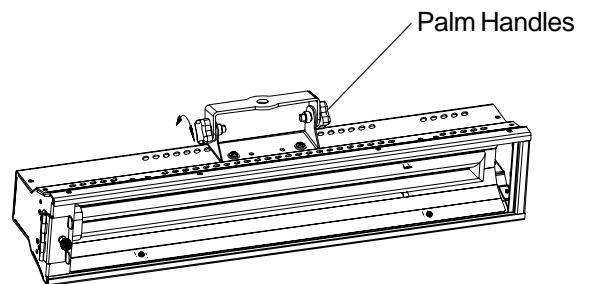


Figure 3

Installing Lamps

1. Place lamp into clip as shown in Figure 4.

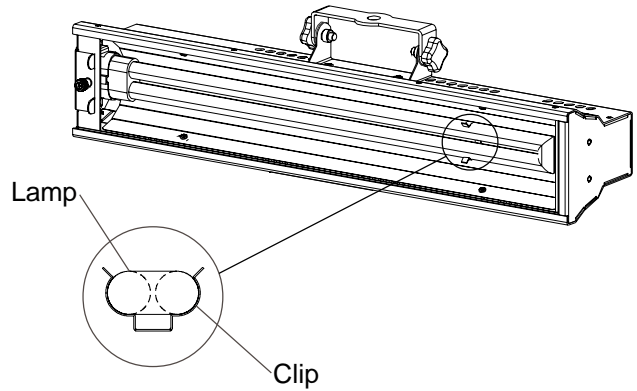


Figure 4

2. Gently slide lamp into socket (Fig. 5).

Note: The socket's locking tabs will snap into indents on the base of the lamp.

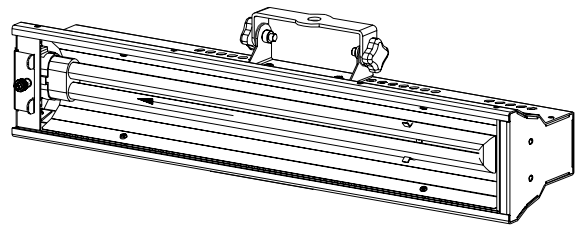


Figure 5

Installing Adapters (C-Clamp/Spud)

1. Thread mounting screw through yoke and into adapter (Fig. 6).

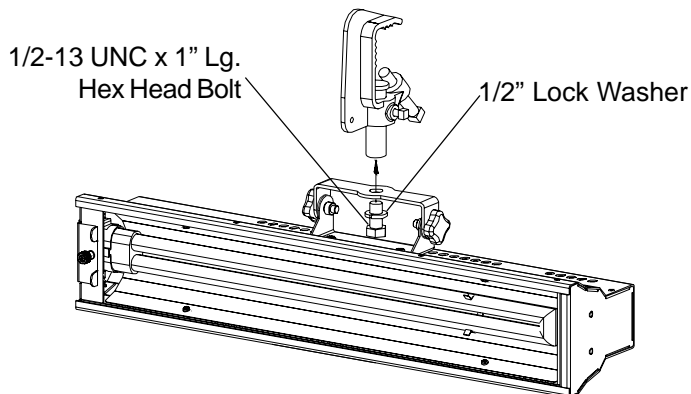


Figure 6

2. Tightly fasten mounting screw in place (Fig. 7).

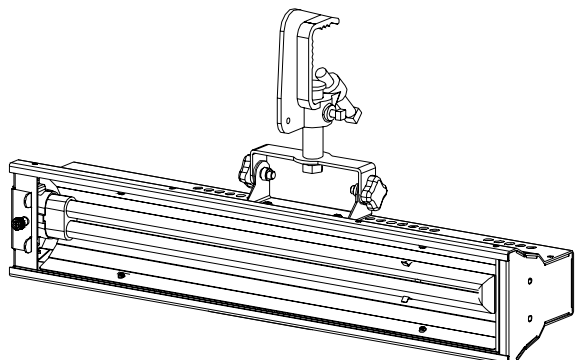
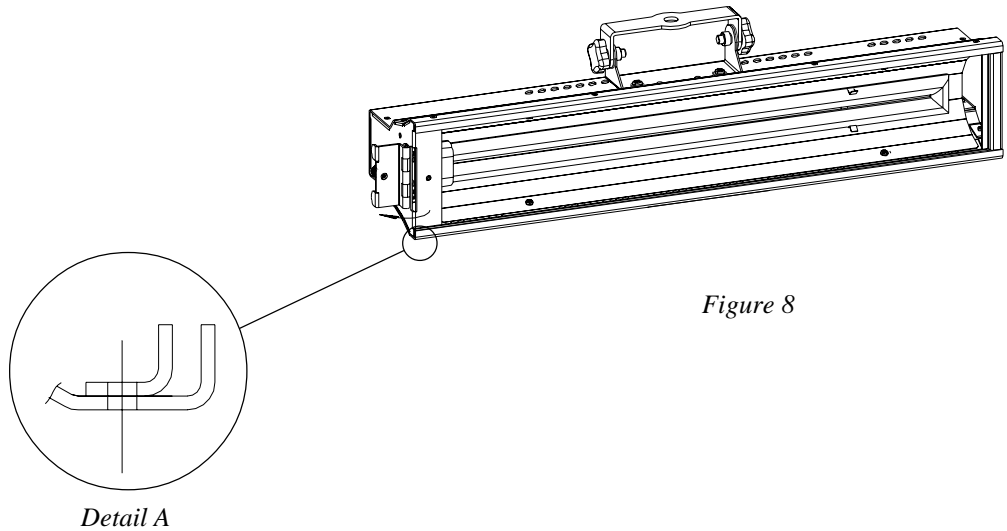


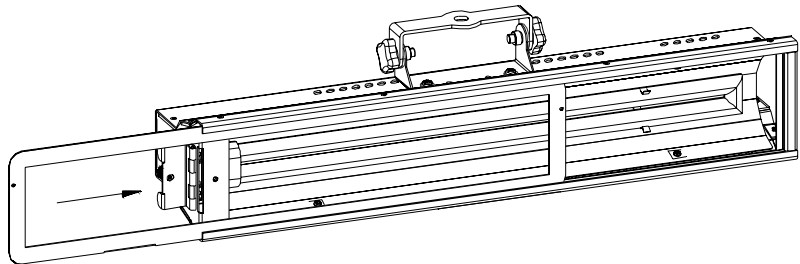
Figure 7

Installing Accessories

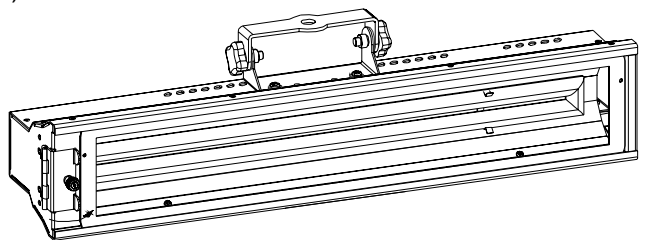
1. Swing latch open (Fig. 8).



2. Insert accessory into the track (see Detail A) and slide it forward until it stops (Fig. 9).



3. Swing latch closed and fasten in place (Fig. 10).



Replacing Fuse

1. Pull fuse holder out of power inlet module.
2. Remove fuse holder and check for wear (Fig. 11). If fuse is blown, replace with a new fuse or the on-board spare (Fig. 12).
3. Return fuse holder to a closed position.

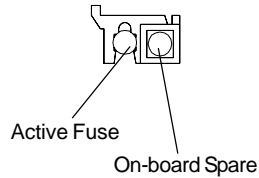


Figure 12

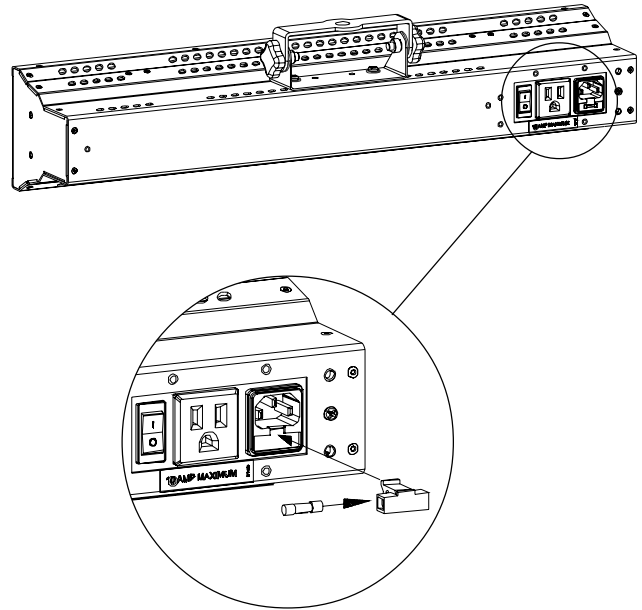
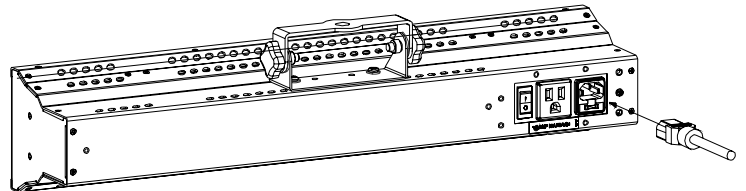


Figure 11

Note: Replace fuse only with 5-amp, time-delay, 250-volt, 5 x 20-mm fuses.

Installing Power Cord

1. The IEC320 connector mates with the power inlet module (Fig. 13).



Note: The ON/OFF switch should always be in "OFF" position when installing or removing the power cord.

Figure 13

Troubleshooting Guide

Problem	Possible Cause	Solution
Lights flicker or drop out at low end.	Defective or damaged lamps.	Replace with new lamps or exchange lamps from a known good fixture.
Lights are flashing or strobing.	Wrong voltage for ballast installed.	Verify that the ballast's voltage is correct.
Lamps are not at the same light level.	Mixture of lamp ages or color temperature.	Check that all the lamps are the same exact type (both age and color).
Ballast buzzes or hums.	Defective ballast.	Identify location of buzz and replace ballast if necessary.
Light fixture does not turn "on."	Defective or missing fuse.	Install fuse into power entry module.

Maintenance

- Lamps should be changed every 10,000 hours.
- Clean reflector with a dry, non-abrasive cloth.
- For maximum performance, season lamps 100 hours before use.
- Replace fuse only with 5-amp, time-delay, 250-volt, 5 x 20-mm fuses.

Specifications

Housing: 14-gauge (.060) formed, aluminum sheet-metal construction.

See finish note.

Reflector: 24-gauge (.020) formed aluminum sheet-metal construction. Polished spectral finish. 95% specular reflectance.

Ballast:

Non Dim: (1) 1-lamp, 55-watt, high-frequency electronic ballast. 100VAC/50-60Hz, 120VAC/60Hz or 230VAC/60Hz, Power factor = >.97 Class, "A" sound rating and THD: <20%.

Lamp: (1) 55W/21T5/T/2G11RS 3000°K and 5000°K available. 10,000-hour-rated lamp life.

Lamp Socket: 2G11 4-pin. Molded white high-strength thermoplastic. Push wire connections for 18-gauge leads.

Mounting: 10-gauge (.125) aluminum yoke, formed construction. 2" O.D. pipe clamp or TVMP adapter provided.

Power Entry Module: 5-amp fuse (with onboard spare) and IEC connector incorporated within housing.

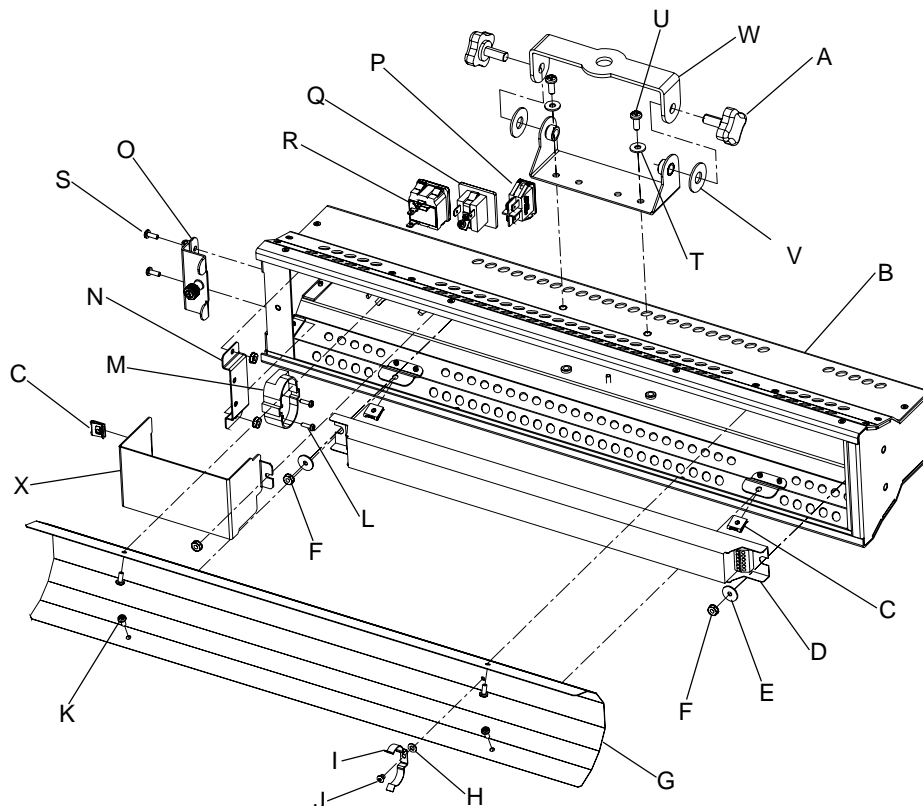
Finish: Low glare, polyester powder coat.

Switch: Rocker ON/OFF power switch.

Optional Accessories: Fixture screens and gel frames.

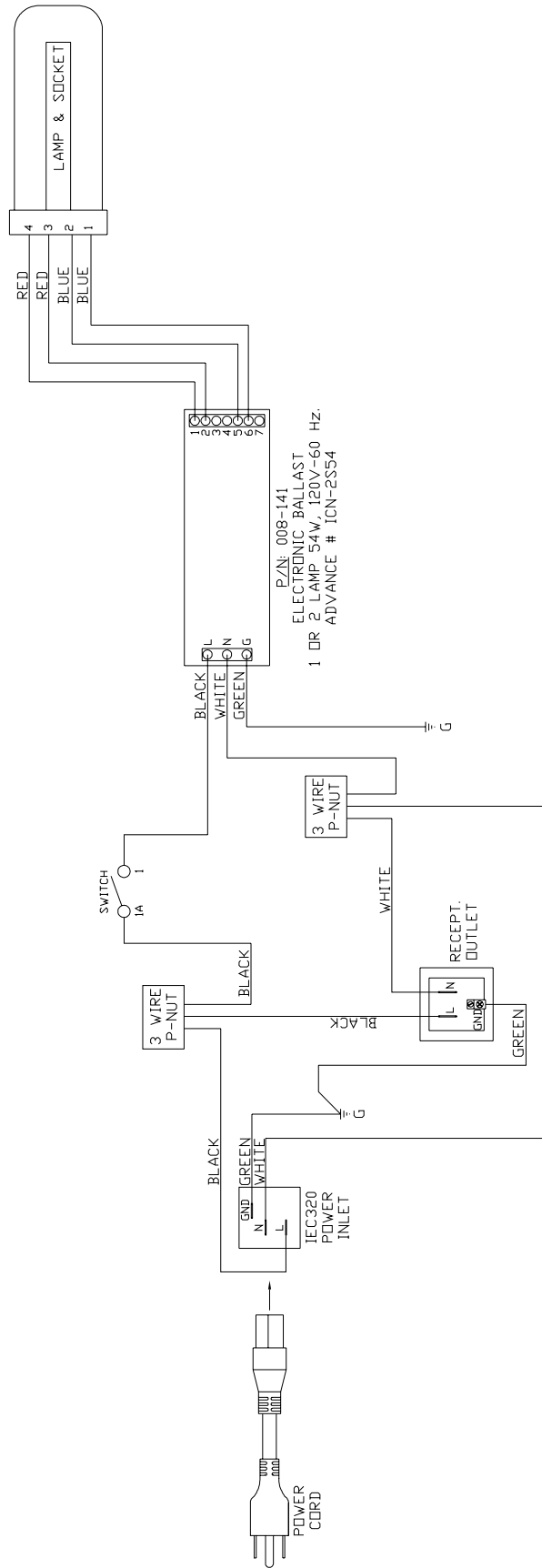
Power Cord: 12-ft. length, 3/18 gauge SOW cable 10 amp/250 V. IEC320 connector to grounded Edison (3) prong plug - NEMA 5-15P standard. (Optional connectors available upon request.) Black finish.

Exploded Assembly



- A - Palm Handle
- B - Main Housing
- C - #6-32 Tinnerman Clip
- D - Ballast
- E - #6 Washer
- F - #6-32 Nut
- G - Reflector
- H - Nylon Spacer
- I - Lamp Clip
- J - 1/8" Domed Rivet
- K - #6-32 x .31 lg. Screw
- L - #4-40 X .38 lg. Screw
- M - 2G11 Socket
- N - Socket Bracket
- O - Accessory Latch
- P - Rocker Switch
- Q - Receptacle
- R - Power Inlet Module
- S - #6-32 x .38 lg. Screw
- T - #10 Washer
- U - #10-32 x .38 lg. Screw
- V - Nylon Washer
- W - Yoke (2 pcs.)
- X - Power guard bracket

Wiring Diagram - NonDim





WARRANTY

Brightline guarantees all its products to be free from defects in materials and workmanship for a period of one (1) year from the date of shipment.

PROCEDURES

If any product is found to be unsatisfactory under this warranty, the buyer must notify **Brightline** immediately. Once a course of action has been determined, if it is necessary to return the product to **Brightline** a Return Authorization (RA) will be issued. Ship the product directly to **Brightline**, 580 Mayer Street, Building #7, Bridgeville, PA 15017. The RA number should be marked on the shipping carton. The unit will be replaced or put into proper operating condition, free of all charges. The correction of any defects through repair or replacement by **Brightline** shall constitute fulfillment of all obligations and liability of **Brightline** to the buyer under this warranty and the contract of sale.

DISCLAIMERS

Brightline is not responsible for damage to its products caused by improper installation, maintenance, or use; by improper electrical hookups; or by unauthorized repairs.

Failure to notify **Brightline** of unsatisfactory operation or any improper or unauthorized installation, maintenance, use, repairs, or adjustments shall terminate the warranty and **Brightline** shall have no further responsibility under the warranty.

Brightline shall not be liable for special or consequential damages in any claim, action, suit, or proceeding arising under this warranty or contract of sale, nor shall **Brightline** be liable for claims for labor, loss of profits or goodwill, repairs, or other expenses incidental to replacement. **Brightline** makes no other warranty of any kind whatsoever, expressed or implied, and all implied warranties of merchantability and fitness for a particular purpose that exceed the obligation specifically described in this warranty are hereby disclaimed by **Brightline** and excluded from this agreement.

All shipments, unless otherwise noted, are F.O.B. factory.

The customer is advised to inspect for shipping damage, apparent and/or hidden. If detected, notify the transportation company and file your claim.

580 Mayer Street, Building #7, Bridgeville, PA 15017 • phone 412.206.0106 • fax 412.206.0146

www.brightlines.com

