

Construction

The fixture housing is made of formed, cold-rolled sheet steel. Heat sink is made of aluminum extrusion. Reflectors are of specular aluminum sheet metal construction featuring a 95% reflectance.

Fixture Body Finish

Low-gloss Signal White finish (Ral #9003, 20% Gloss).

Power and Control

All LED Drivers are high-frequency electronic, with a power factor > .94, THD < 10%, and a Class A sound rating. Drivers are mounted internally.

LED Technology

The fixture utilizes remote phosphor technology to emit high quality illumination (>95 CRI) for videoconferencing and broadcast applications. Each channel has a variable power wattage range from 10-watts to 24-watts per linear foot.

Directional Beam Angle

The LED component can articulate 25° to 50° from vertical and has a 25° beam spread.

Accessories

Louvers provide complementary aesthetics to most architectural styles. Louvers available in white or custom finish. 2-ft. fixtures have the option to be mounted at a 45° angle into a ceiling panel fitted for a 2-ft. x 2-ft. grid.

Electrical Certifications

UL, cUL and CE

Fixture Dimensions and Weight

2-foot

Inch: 23.79-in x 7.70-in x 7.54-in
(604.37-mm x 195.52-mm x 191.41-mm)

Aperture: 5.00-in x 23.65-in
(127.00-mm x 600.71-mm)

Fixture Weight: 15.94-lbs (7.23-kg)

2-foot panel

Inch Panel: 23.75-in x 23.75-in x 7.58-in
(603.25-mm x 603.25-mm x 191.41-mm)

Metric Panel: 595-mm x 595-mm x 191.41-mm
(23.43-in x 23.43-in x 7.54-in)

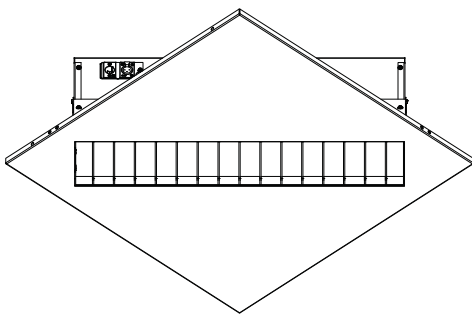
Fixture Weight: 21.56-lbs (9.78-kg)

4-Foot

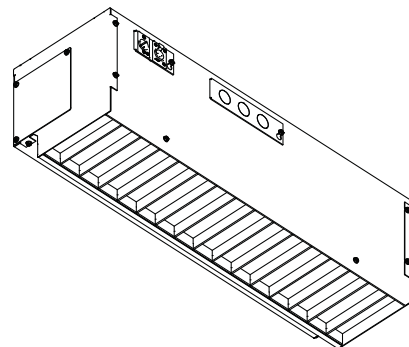
Inch: 47.79-in x 7.70-in x 7.54-in
(1213.97-mm x 195.52-mm x 191.41-mm)

Aperture: 5.00- x 47.65-in
(127.00- x 1210.31-mm)

Fixture Weight: 30.06-lbs (13.63-kg)



LED Micro-T 45° Option



LED Micro-T 90° Option

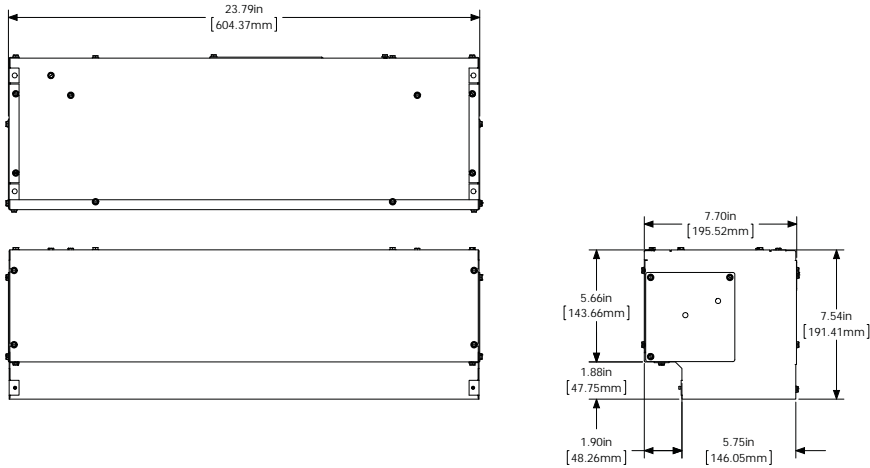
US and Foreign Patents Pending.

580 Mayer Street - Building # 7 - Bridgeville, PA 15017 USA

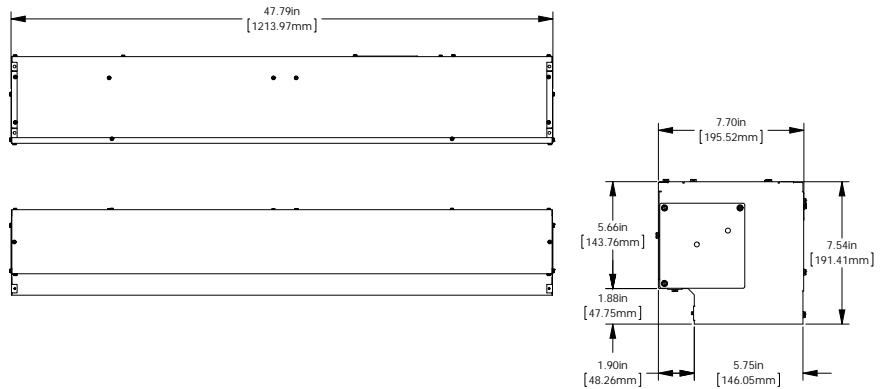
Phone: 1.412.206.0106 - Fax: 1.412.206.0146



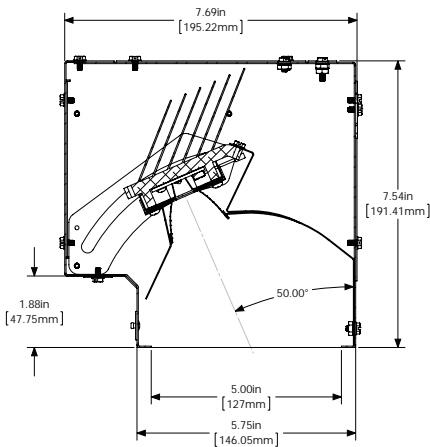
LED Micro-T 2-Foot Dimensions



LED Micro-T 4-Foot Dimensions



LED Micro-T Section View



LMT	Length	Dimming Protocol	Voltage	Color Temperature	Panel Size (2-ft Only)
LED Micro-T	2 = Two Foot	A = 0 - 10V	1 = 120V	32 = 3200°K	I = Inch
	4 = Four Foot	N = Non-Dim	2 = 230V	41 = 4100°K	M = Metric
		X = Digital	7 = 277V	56 = 5600°K	

580 Mayer Street - Building # 7 - Bridgeville, PA 15017 USA

Phone: 1.412.206.0106 - Fax: 1.412.206.0146

