

Construction

Fixture-housing is made of formed, cold-rolled sheet steel. Dome shaped interior fixture housing.

Fixture Body Finish

Low-gloss, Easy-White finish (Tiger Drylac 449/11707 smooth flat) is standard, with custom colors available.

Fixture and Reflector

Reflectors are of formed aluminum high diffuse sheet metal construction, featuring 98% reflectance White Optic material. Direct task lights provide general room illumination; as option, fixtures can be configured with video lights only.

Ballast

Ballasts are available in switched or in a variety of dimmable configurations. All ballasts are high-frequency electronic, with a Power Factor > .97, THD, 10% and a Class A sound rating. Ballasts are in the fixture housing. Power and control inputs are from the side and top.

Lamps

This Brightline fixture uses 55-watt compact fluorescent lamps, F28T5 (4-ft), or F54T5/HO (4-ft) linear lamps, available in a variety of color temperatures and CRI ratings. Studioline and Cinema Series 55-watt Biax and T-5 High Output linear lamps in 3200K are optimized specifically for video camera applications. (see Lamp Options Datasheet for details.)

Accessories

Louvers available in white, painted-aluminum, or custom finish. (See Louver Options Datasheet for details.)

Fixture Dimensions, Aperture and Weight

4-foot Inch: 47.75- x 10.45- x 8.91-in
(1212.85- x 265.43- x 226.31-mm)
Metric: 1195.58- x 265.43- x 226.31-mm
(47.07- x 10.45- x 8.91-in)
Aperture: 5.00- x 47.00-in
(127.00- x 1193.80-mm)
Fixture Weight: 27-lbs (12.25-kg)

Electrical Certifications

UL, cUL, and CCEA* approved.

Shipping Information
4-foot fixture
Length: 48.50-in (1231.90-mm)
Width: 11.50-in (292.10-mm)
Height: 13-in (330.20-mm)
Weight: 29-lb (13.15-kg)



VideoPlus can be outfitted to fit a range of aesthetics. The straight louver design complements most architectural styles without interfering with light output.

*Note: CCEA certification provided by request; additional charges may apply.

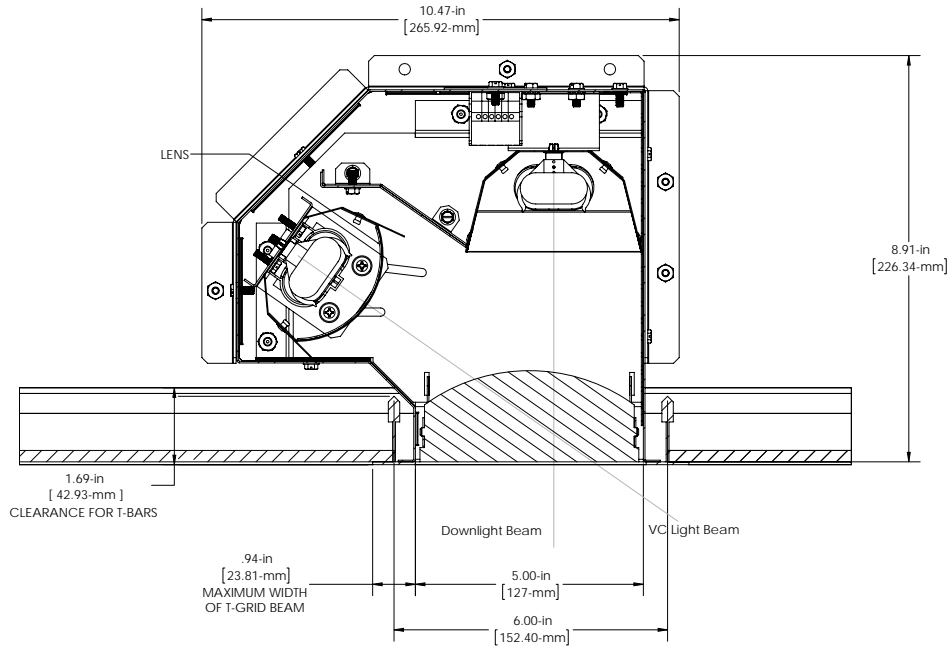
US and Foreign Patents Pending.

580 Mayer Street - Building # 7 - Bridgeville, PA 15017 USA

Phone: 1.412.206.0106 - Fax: 1.412.206.0146



Section View



VP			
VideoPlus	Length	Ballast Type	Voltage
	Specify Length in 4-ft increments	A = 0 - 10V	1 = 120V
	4-ft BIAx or Linear	E = Ecosystem	2 = 230V
		N = Non-Dim	7= 277V
		P = Phase	
		X = Digital	

Video Lamp
V1B - 1LT 55w BIAx
V1L - 1LT F54T5/HO
V1F - 1LT F28T5
V00 - No Lamp

Task Lamp
T1B - 1LT 55w BIAx
T1L - 1LT F54T5/HO
T1F - 1LT F28T5
T00 - No Lamp

Certification
PR = CCEA

Note: See Sample Configuration drawings for lamp combination availability.

Note: Phase-Dim ballasts are not available in 230V.

Note: Phase-Dim ballast are not available for F28T5 lamps.

Note: CCEA Fixtures will have bare leads for control and power; all control cable to be provided by contractor.

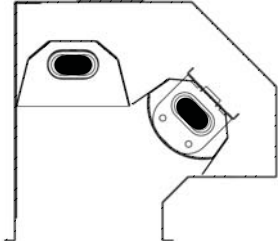
580 Mayer Street - Building # 7 - Bridgeville, PA 15017 USA

Phone: 1.412.206.0106 - Fax: 1.412.206.0146

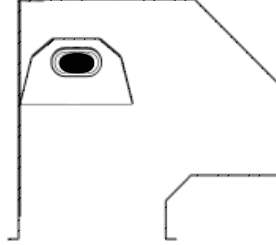




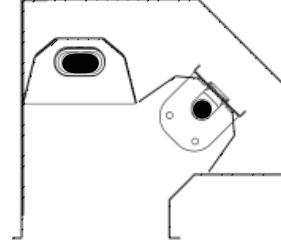
Sample Lamp Configurations



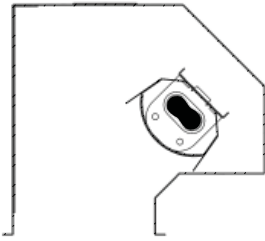
Video Bi-ax Lamp,
Task Bi-ax Lamp



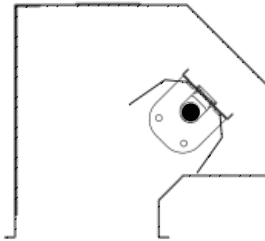
No Video Lamp,
Task Bi-ax Lamp



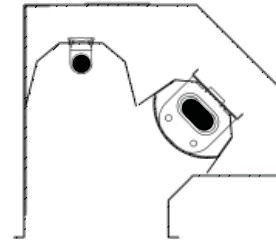
Video Linear Lamp,
Task Bi-ax Lamp



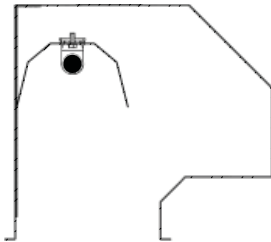
Video Bi-ax Lamp,
No Task Lamp



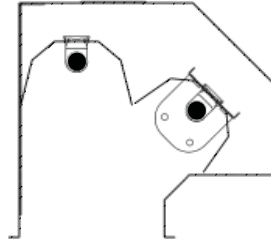
Video Linear Lamp,
No Task Lamp



Video Bi-ax Lamp,
Task Linear Lamp

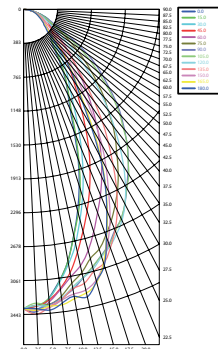


No Video Lamp,
Task Linear Lamp

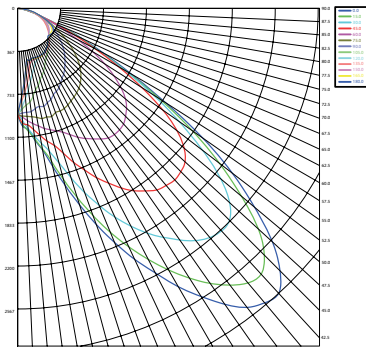


Video Linear Lamp,
Task Linear Lamp

Task Light
90° horizontal light distribution



Videoconference Light with Lens
45° vertical light distribution



580 Mayer Street - Building # 7 - Bridgeville, PA 15017 USA

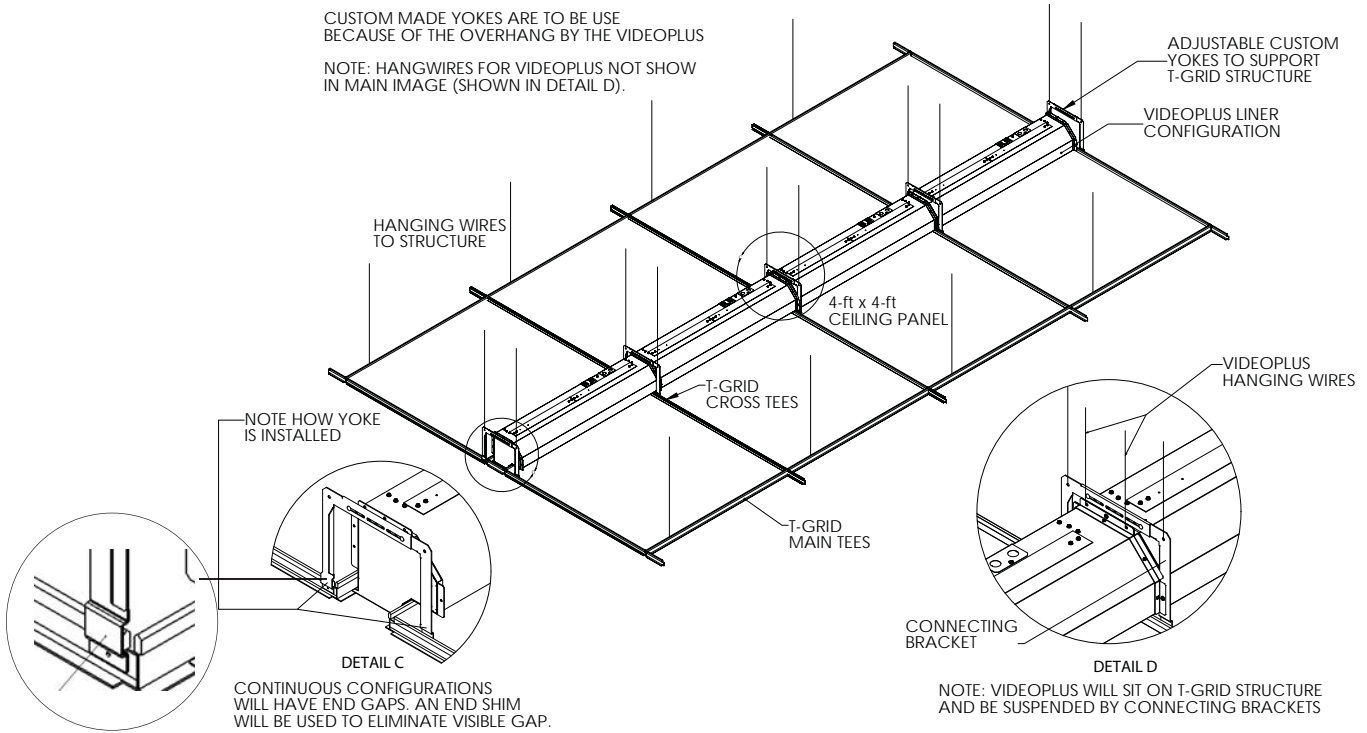
Phone: 1.412.206.0106 - Fax: 1.412.206.0146



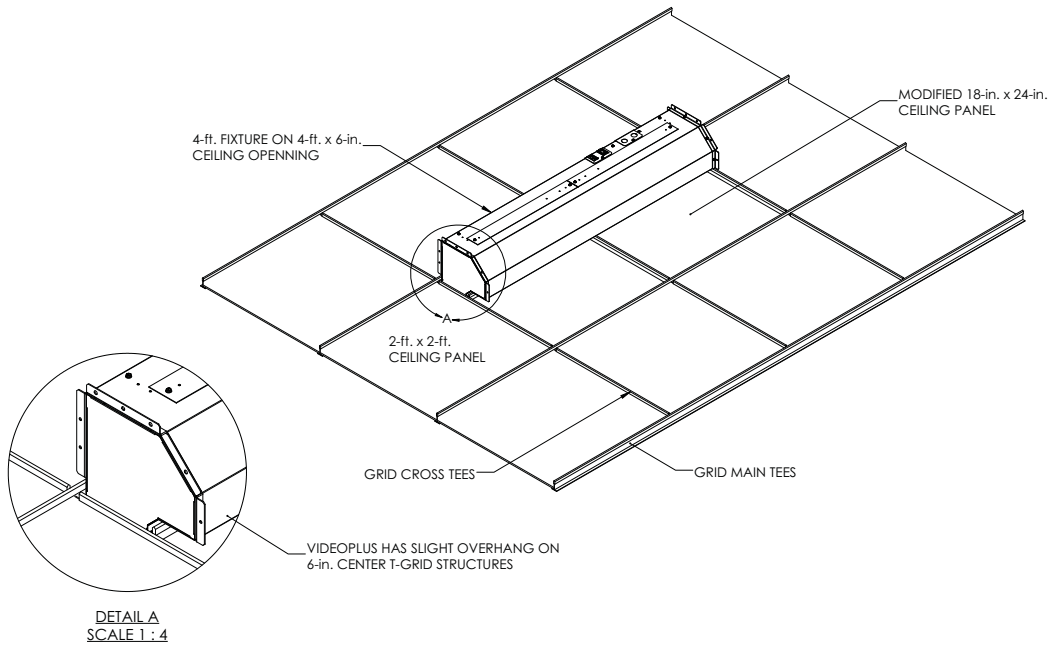


Continuous Run Ceiling Installation

CUSTOM MADE YOKEs ARE TO BE USE BECAUSE OF THE OVERHANG BY THE VIDEOPLUS
NOTE: HANGWIRES FOR VIDEOPLUS NOT SHOW IN MAIN IMAGE (SHOWN IN DETAIL D).



Standard Ceiling Installation



580 Mayer Street - Building # 7 - Bridgeville, PA 15017 USA

Phone: 1.412.206.0106 - Fax: 1.412.206.0146



© 2016 Brightline LP All Rights Reserved

Specifications are subject to change without notice.

05/20/16