

Housing

14-gauge formed aluminum sheet metal construction. 16-gauge formed aluminum reflector. Metallic cool charcoal finish is standard, with custom colors available. The driver can be serviced without removing the LEDs or reflector.

Bracket

16-gauge (.06-in, 1.52-mm) formed aluminum sheet metal construction. Matte black finish.

Electrical

A removable 12-ft (3.7-m) power cord with a NEMA 5-15P plug is standard; other plug types are available as options. The fixture is protected by an external removable fuse, with an onboard spare. Power draw 42-watts.

Switch

Onboard, rocker ON/OFF switch.

LEDs (16) 50,000-hour rated life; 3200°K or 5600°K;

Driver

LED Drivers are available for 120V-230V, 50-60 Hz operation. Class A sound rating. Dimmed fixtures may be controlled by Phase or by DMX-512. (Requires one DMX Address)

Mounting

Fixture has a 10-gauge horizontal extruded aluminum yoke, with palm handles standard. Each fixture is supplied with a 2-inch OD C-clamp with an integral safety cable.

Dimensions

BL.16 fixture is 8.6-in (218-mm) wide x 7.8-in (200-mm) high x 9.1-in (230-mm) deep. (With a horizontal yoke, the overall width of the fixture increases to 11.8-in [300-mm], which includes the palm handles.)

Weight

11-lb (5-kg); includes yoke, c-clamp, palm handles, LED cartridge and screen.

Electrical Certifications

UL, cUL and CE



Interchangeable optic cartridge allows for a multifunctioning fixture perfect for dynamic environments. Cartridges are easy to remove and install in the field.

Shipping Information
Length: 25-in (635-mm)
Width: 12-in (305-mm)
Height: 13-in (330-mm)
Weight: 13-lb (5.9-kg)

BL.16		
	Control Type	Voltage
	X = DMX	1 = 120v
	P = Phase	2 = 230v

Optic Type	Color Temperature	
N = Narrow	32 = 3200° K	
M = Medium	56 = 5600° K	
B = Broad		
S = Super Wide		

Note: Charcoal fixture finish is standard; custom-finish available for an additional fee (add -CF suffix to part number).

US and foreign patents pending.

580 Mayer Street - Building # 7 - Bridgeville, PA 15017 USA

Phone: 1.412.206.0106

www.brightlines.com



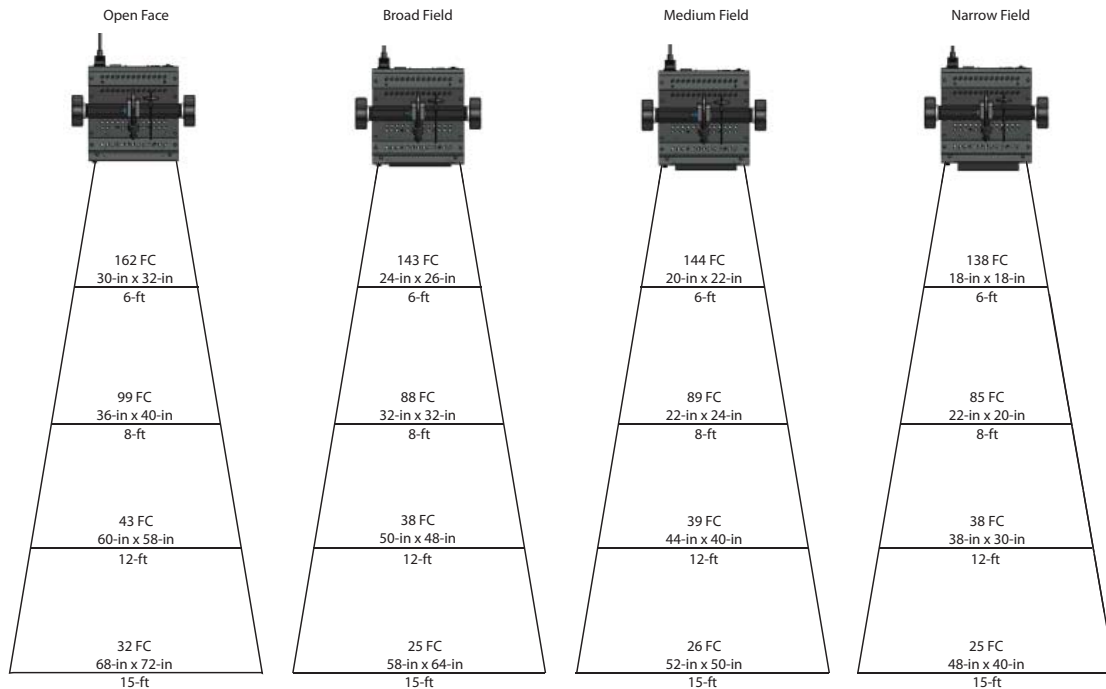
© 2018 Brightline LP All Rights Reserved

Specifications are subject to change without notice.

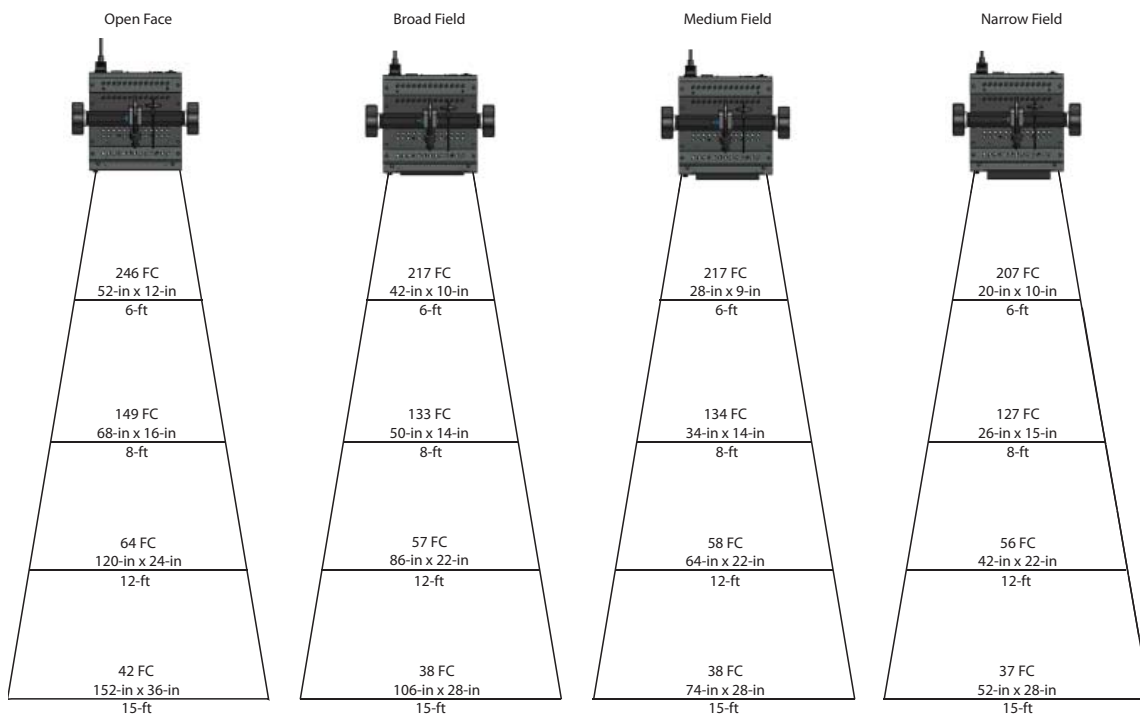
06/14/18



Broad 5600K Optics & Control Screens



Super Wide 5600K Optics & Control Screens



580 Mayer Street - Building # 7 - Bridgeville, PA 15017 USA

Phone: 1.412.206.0106

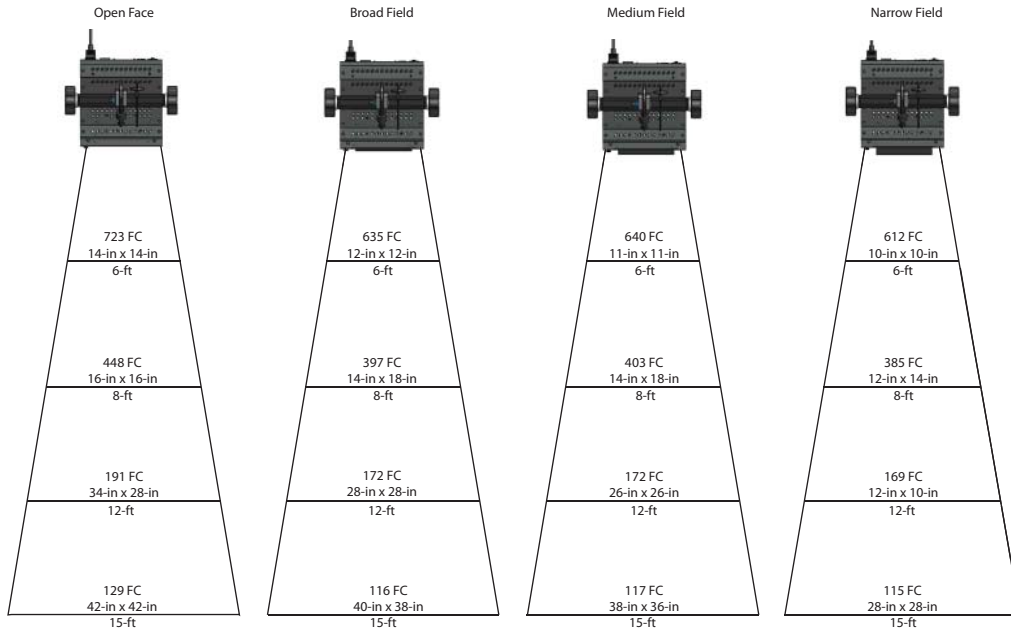
www.brightlines.com



© 2018 Brightline LP All Rights Reserved



Medium 5600K Optics & Control Screens



Narrow 5600K Optics & Control Screens

