



brightline
Evolutionary Lighting Systems

Double VideoPlus

Videconfernce Fixture Double Video Light Plus Task Light

Construction

Fixture-housing is made of formed, cold-rolled sheet steel.

Fixture Body Finish

Low-gloss, Easy-White finish (Tiger Drylac 449/11707 smooth flat) is standard.

Fixture and Reflector

Reflectors are of formed aluminum high diffuse sheet metal construction, featuring 98% reflectance White Optic material. Direct task lights provide general room illumination; as option, fixtures can be configured with video lights only.

Ballast

Ballasts are available in switched or in a variety of dimmable configurations. All ballasts are high-frequency electronic, with a Power Factor > .97, THD, 10% and a Class A sound rating. Ballasts are in the fixture housing. Power and control inputs are from the side or top.

Lamps

This Brightline fixture uses 55-watt compact fluorescent lamps, F28T5 (4-ft), or F54T5/HO (4-ft) linear lamps, available in a variety of color temperatures and CRI ratings. Studioline and Cinema Series 55-watt Biax and T-5 High Output linear lamps in 3200K are optimized specifically for video camera applications. (see Lamp Options Datasheet for details.)

Accessories

Louvers available in white, painted-aluminum, or custom finish. (See Louver Options Datasheet for details.)

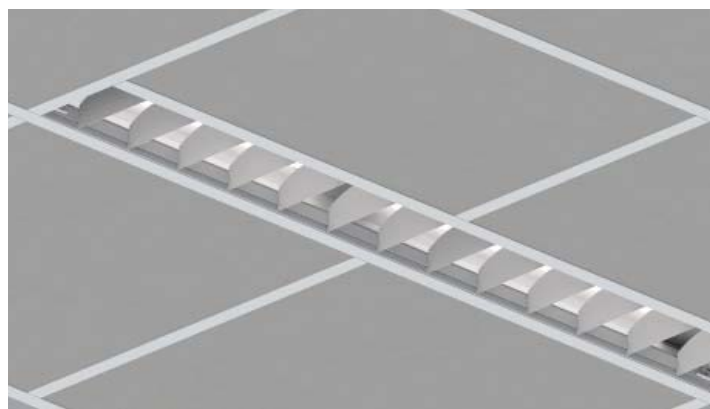
Fixture Dimensions, Aperture and Weight

4-foot Inch: 47.75- x 14.32- x 8.91-in
(1212.85- x 363.78- x 226.31-mm)
Metric: 1195.58- x 363.78- x 226.31-mm
(47.07- x 14.32- x 8.91-in)
Aperture: 5.00- x 47.00-in
(127.00- x 1193.80-mm)
Fixture Weight: 37-lbs (16.78-kg)

2-foot Inch: 23.75- x 14.32- x 8.91-in
(603.25- x 363.78- x 226.31-mm)
Metric: 585.98- x 363.78- x 226.31-mm
(23.07- x 14.32- x 8.91-in)
Aperture: 5.00- x 23.00-in
(127.00- x 584.20-mm)
Fixture Weight: 27-lbs (12.25-kg)

Electrical Certifications

UL, cUL, and CCEA* approved.



Double VideoPlus can be outfitted to fit a range of aesthetics. The standard louver design complements most architectural styles without interfering with light output.

*Note: CCEA certification provided by request; additional charges may apply.

US and Foreign Patents Pending.

580 Mayer Street - Building # 7 - Bridgeville, PA 15017 USA

Phone: 1.412.206.0106

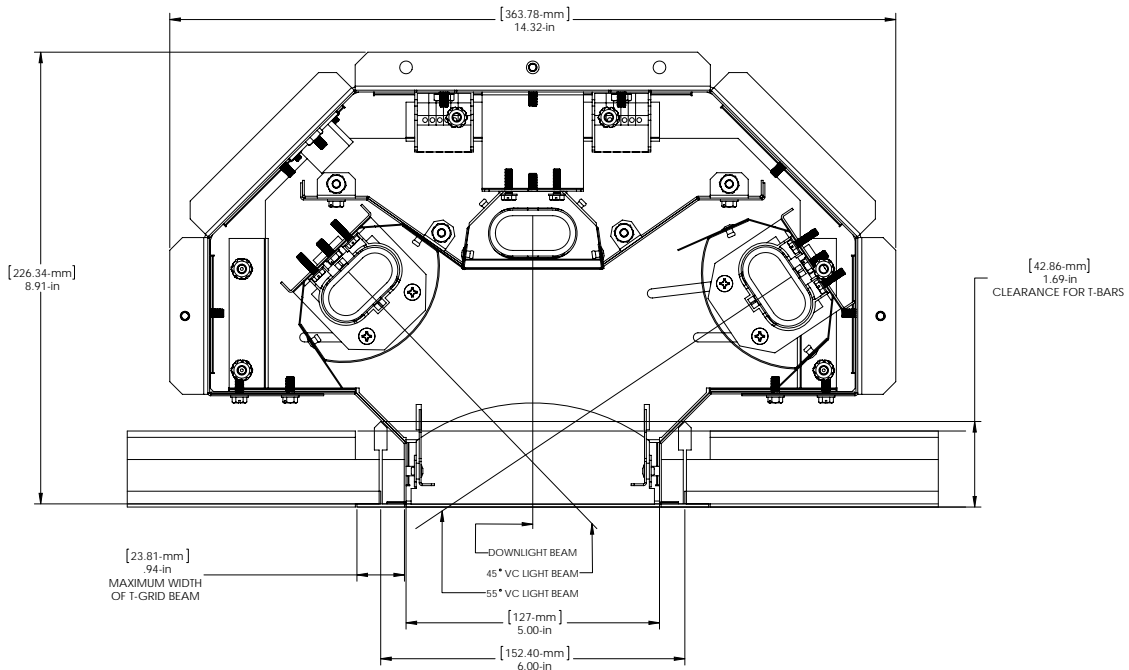
www.brightlines.com



© 2017 Brightline LP All Rights Reserved



Section View



Shipping Information	
4-foot fixture	2-foot fixture
Length: 48.50-in (1231.90-mm)	Length: 24.50-in (622.30-mm)
Width: 15.50-in (393.70-mm)	Width: 15.50-in (393.70-mm)
Height: 13-in (330.20-mm)	Height: 13-in (330.20-mm)
Weight: 39-lb (17.69-kg)	Weight: 29-lb (13.15-kg)

VP	Length	Ballast Type	Voltage	Video Lamp	Task Lamp	Video Lamp	Certification
VideoPlus	Specify Length in 2-ft increments	A = 0 - 10V	1 = 120V	V1B - 1LT 55w BIAx	T1B - 1LT 55w BIAx	V1B - 1LT 55w BIAx	PR = CCEA
	2-ft BIAx of Linear	E = Ecosystem	2 = 230V	V1L - 1LT F54T5/HO	T1L - 1LT F54T5/HO	V1L - 1LT F54T5/HO	
	4-ft BIAx or Linear	N = Non-Dim	7 = 277V	V1F - 1LT F28T5	T1F - 1LT F28T5	V1F - 1LT F28T5	
		P = Phase		V00 - No Lamp	T00 - No Lamp	V00 - No Lamp	
		X = Digital					

Note: See Sample Configuration drawings for lamp combination availability.

Note: Linear T5 Lamps only available for 4-foot fixtures.

Note: Phase-Dim ballasts are not available in 230V.

Note: Phase-Dim ballasts are not available for F28T5 lamps.

Note: CCEA Fixtures will have bare leads for control and power; all control cable to be provided by contractor.

580 Mayer Street - Building # 7 - Bridgeville, PA 15017 USA

Phone: 1.412.206.0106

www.brightlines.com



© 2017 Brightline LP All Rights Reserved

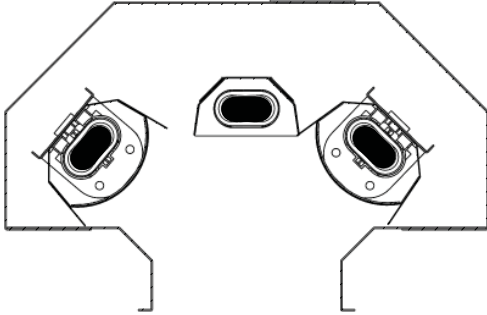
Specifications are subject to change without notice.

07/27/17

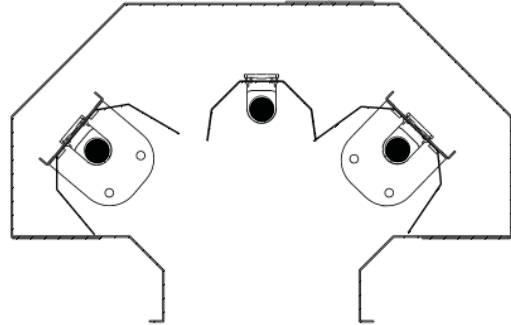


Sample Lamp Configurations

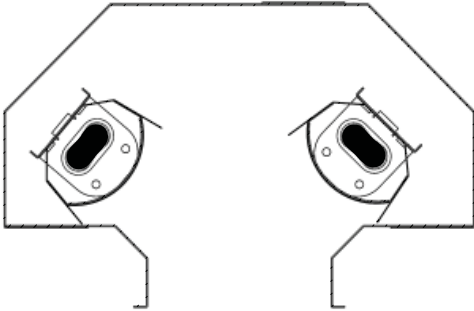
Linear Lamps are only available in 4-Foot VideoPlus Fixtures.



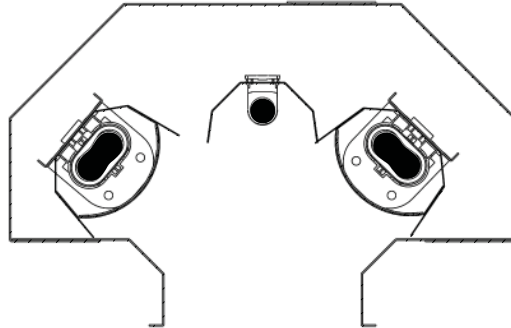
Video Biax Lamps,
Task Biax Lamp



Video Linear Lamps,
Task Linear Lamp

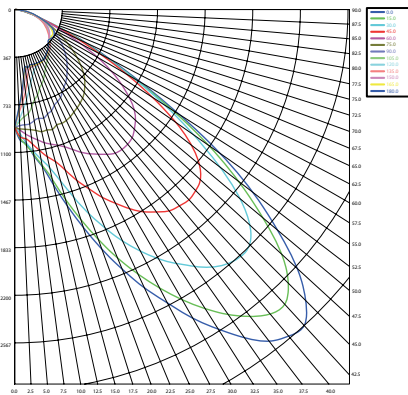


Video Biax Lamps,
No Task Lamp

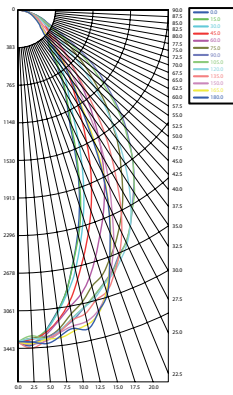


Video Biax Lamps,
Task Linear Lamp

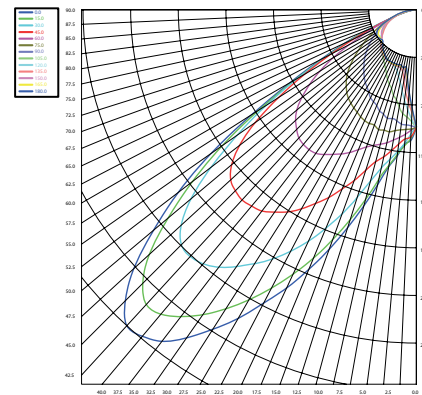
Videoconference Light with Lens
45° vertical light distribution



Task Light
90° horizontal light distribution



Videoconference Light with Lens
45° vertical light distribution



580 Mayer Street - Building # 7 - Bridgeville, PA 15017 USA

Phone: 1.412.206.0106

www.brightlines.com



brightline[®]

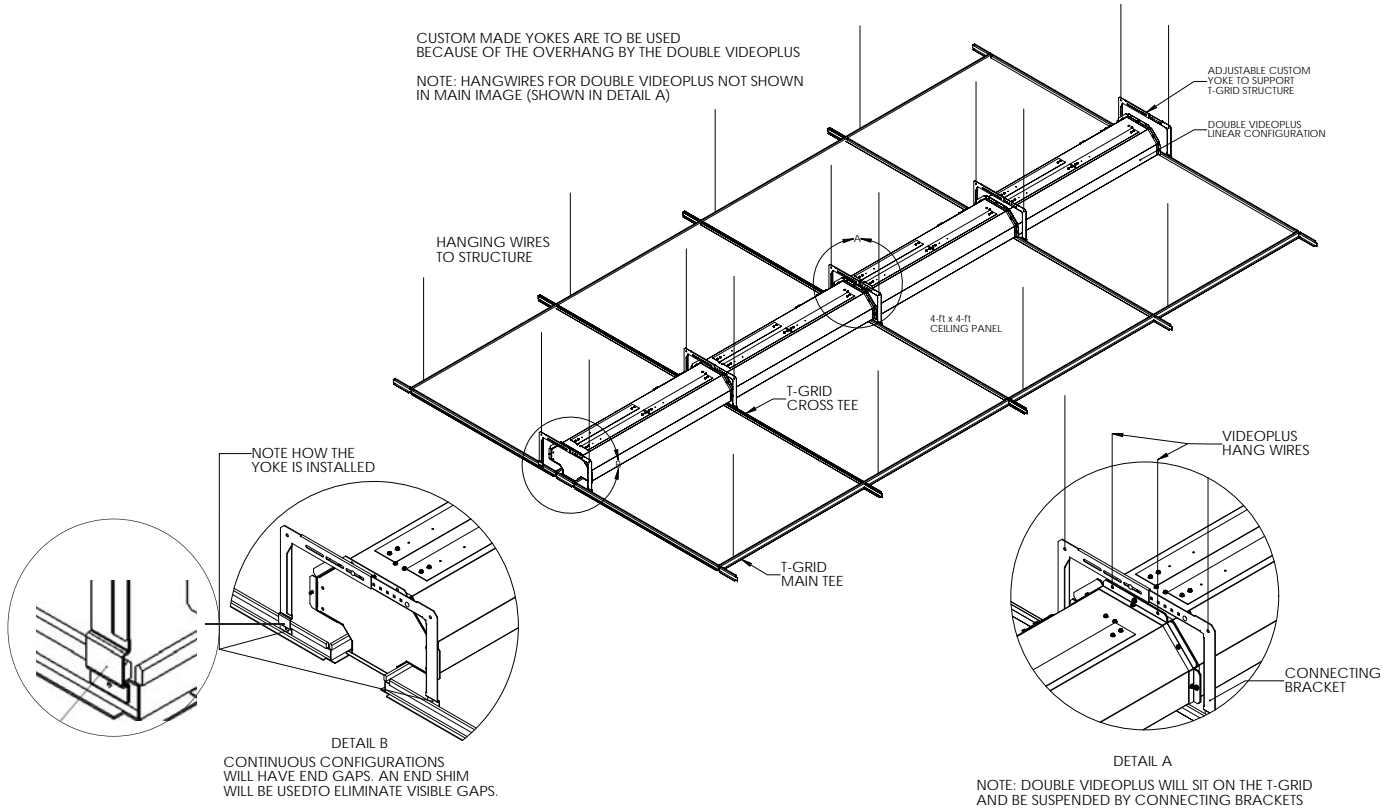
© 2017 Brightline LP All Rights Reserved



Continuous Run Ceiling Installation

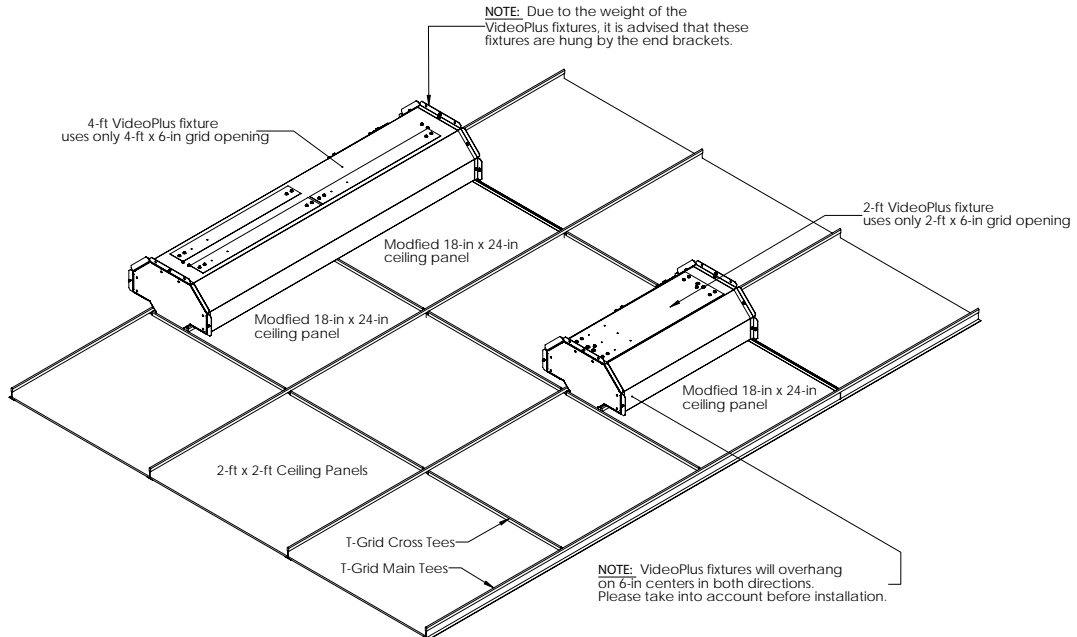
CUSTOM MADE YOKEs ARE TO BE USED BECAUSE OF THE OVERHANG BY THE DOUBLE VIDEOPLUS

NOTE: HANGWIRES FOR DOUBLE VIDEOPLUS NOT SHOWN IN MAIN IMAGE (SHOWN IN DETAIL A)



Standard Ceiling Installation

NOTE: Due to the weight of the VideoPlus fixtures, it is advised that these fixtures are hung by the end brackets.



580 Mayer Street - Building # 7 - Bridgeville, PA 15017 USA

Phone: 1.412.206.0106

www.brightlines.com



© 2017 Brightline LP All Rights Reserved

Specifications are subject to change without notice.

07/27/17