

### Construction

Fixture-housing is made of formed, cold-rolled sheet steel. Dome shaped interior fixture housing.

### Fixture Body Finish

Low-gloss, Easy-White finish (Tiger Drylac 449/11707 smooth flat) is standard, with custom colors available.

### Fixture and Reflector

Reflectors are of formed aluminum high diffuse sheet metal construction, featuring 98% reflectance White Optic material. Direct task lights provide general room illumination; as option, fixtures can be configured with video lights only.

### Ballast

Ballasts are available in switched or in a variety of dimmable configurations. All ballasts are high-frequency electronic, with a Power Factor > .97, THD, 10% and a Class A sound rating. Ballasts are in the fixture housing. Power and control inputs are from the side and top.

### Lamps

This Brightline fixture uses 55-watt compact fluorescent lamps, F28T5 (4-ft), or F54T5/HO (4-ft) linear lamps, available in a variety of color temperatures and CRI ratings. Studioline and Cinema Series 55-watt Biax and T-5 High Output linear lamps in 3200K are optimized specifically for video camera applications. (see Lamp Options Datasheet for details.)

### Accessories

Louvers available in white, painted-aluminum, or custom finish. (See Louver Options Datasheet for details.)

### Fixture Dimensions, Aperture and Weight

**4-foot** Inch: 47.75- x 10.45- x 8.91-in  
(1212.85- x 265.43- x 226.31-mm)  
Metric: 1195.58- x 265.43- x 226.31-mm  
(47.07- x 10.45- x 8.91-in)  
Aperture: 5.00- x 47.00-in  
(127.00- x 1193.80-mm)  
Fixture Weight: 27-lbs (12.25-kg)

**2-foot** Inch: 23.75- x 10.45- x 8.91-in  
(603.25- x 265.43- x 226.31-mm)  
Metric: 585.98- x 265.43- x 226.31-mm  
(23.07- x 10.45- x 8.91-in)  
Aperture: 5.00- x 23.00-in  
(127.00- x 584.20-mm)  
Fixture Weight: 17-lbs (7.71-kg)

### Electrical Certifications

UL, cUL, and CCEA\* approved.



*VideoPlus can be outfitted to fit a range of aesthetics. The straight louver design complements most architectural styles without interfering with light output.*

\*Note: CCEA certification provided by request; additional charges may apply.

US and Foreign Patents Pending.

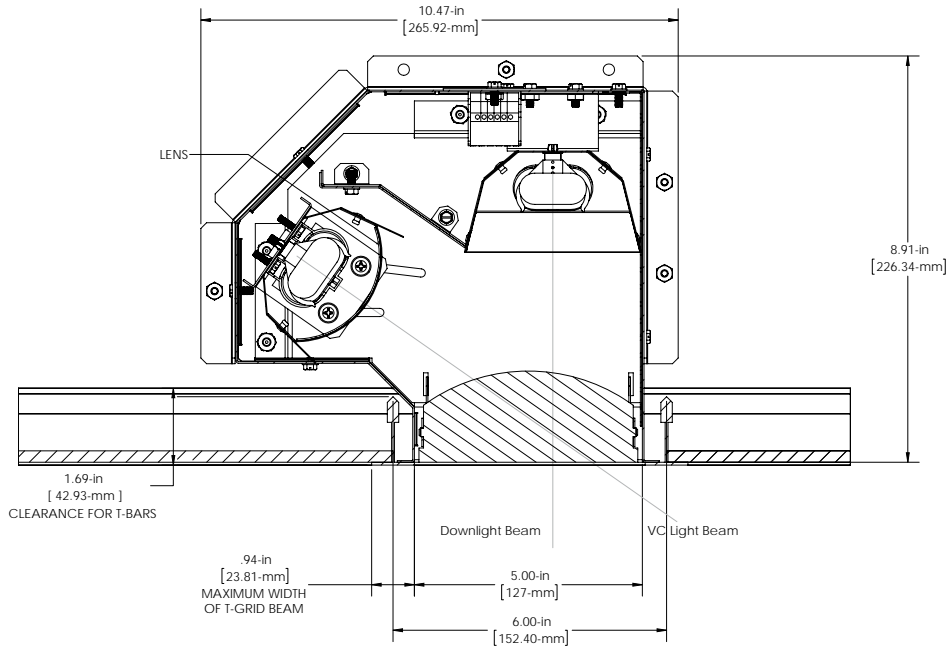
580 Mayer Street - Building # 7 - Bridgeville, PA 15017 USA

Phone: 1.412.206.0106

[www.brightlines.com](http://www.brightlines.com)



**Section View**



Shipping Information	
4-foot fixture	2-foot fixture
Length: 48.50-in (1231.90-mm)	Length: 24.50-in (622.30-mm)
Width: 11.50-in (292.10-mm)	Width: 11.50-in (292.10-mm)
Height: 13-in (330.20-mm)	Height: 13-in (330.20-mm)
Weight: 29-lb (13.15-kg)	Weight: 19-lb (8.62-kg)

VP	Length	Ballast Type	Voltage	Video Lamp	Task Lamp	Video Lamp	Certification
VideoPlus	Specify Length in 2-ft increments	A = 0 - 10V	1 = 120V	V1B - 1LT 55w BIAX	T1B - 1LT 55w BIAX	V1B - 1LT 55w BIAX	PR = CCEA
	2-ft BIAX of Linear	E = Ecosystem	2 = 230V	V1L - 1LT F54T5/HO	T1L - 1LT F54T5/HO	V1L - 1LT F54T5/HO	
	4-ft BIAX or Linear	N = Non-Dim	7 = 277V	V1F - 1LT F28T5	T1F - 1LT F28T5	V1F - 1LT F28T5	
		P = Phase		V00 - No Lamp	T00 - No Lamp	V00 - No Lamp	
		X = Digital					

Note: 2-foot fixture can use either Biax Lamps only.  
 Note: Phase-Dim ballasts are not available in 230V.  
 Note: Phase-Dim ballast are not available for F28T5 lamps.  
 Note: CCEA Fixtures will have bare leads for control and power; all control cable to be provided by contractor.

580 Mayer Street - Building # 7 - Bridgeville, PA 15017 USA

Phone: 1.412.206.0106

www.brightlines.com



© 2017 Brightline LP All Rights Reserved

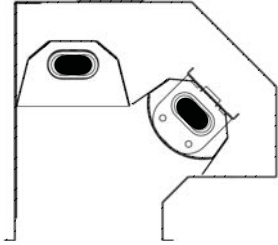
Specifications are subject to change without notice.

07/27/17

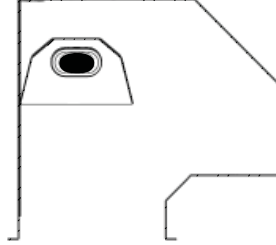


**Sample Lamp Configurations**

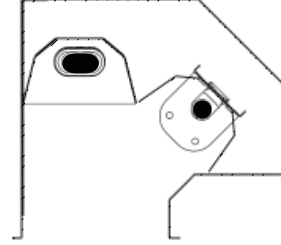
Linear Lamps are only available in 4-Foot VideoPlus Fixtures.



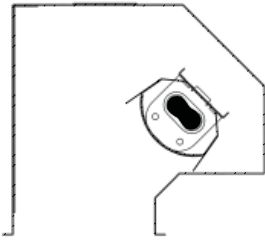
Video Biax Lamp,  
Task Biax Lamp



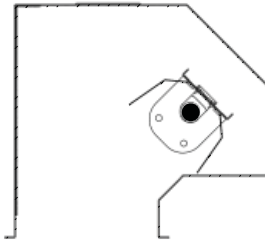
No Video Lamp,  
Task Biax Lamp



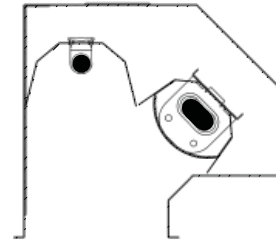
Video Linear Lamp,  
Task Biax Lamp



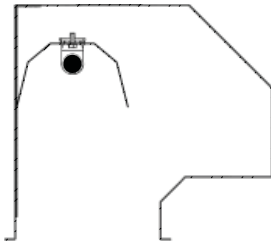
Video Biax Lamp,  
No Task Lamp



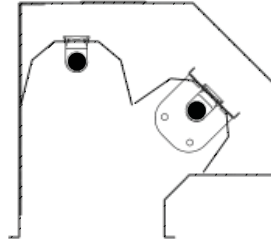
Video Linear Lamp,  
No Task Lamp



Video Biax Lamp,  
Task Linear Lamp

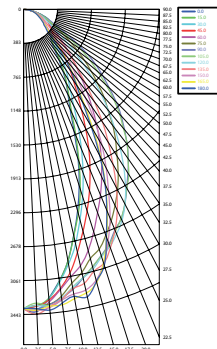


No Video Lamp,  
Task Linear Lamp

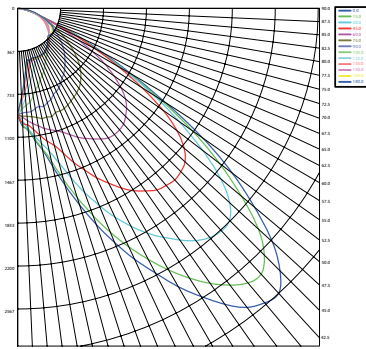


Video Linear Lamp,  
Task Linear Lamp

**Task Light**  
90° horizontal light distribution



**Videoconference Light with Lens**  
45° vertical light distribution



580 Mayer Street - Building # 7 - Bridgeville, PA 15017 USA

Phone: 1.412.206.0106

[www.brightlines.com](http://www.brightlines.com)

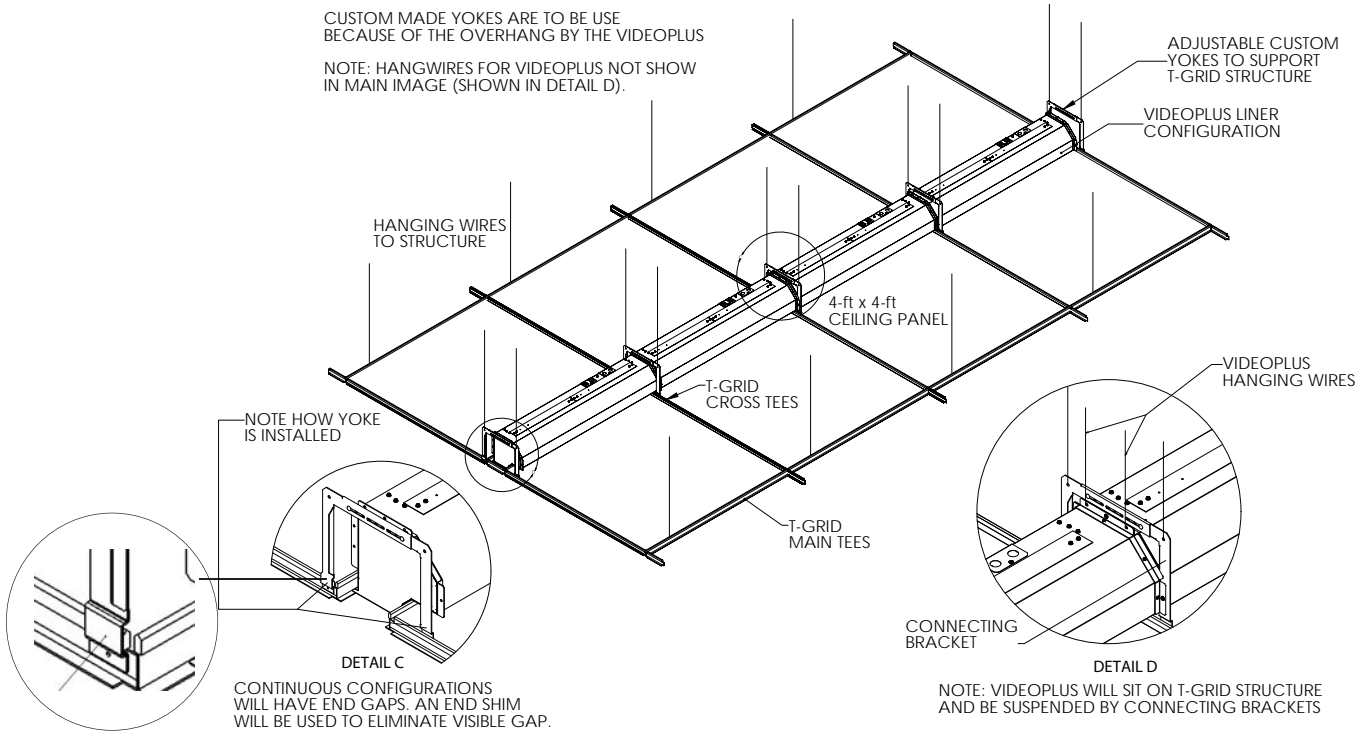


© 2017 Brightline LP All Rights Reserved

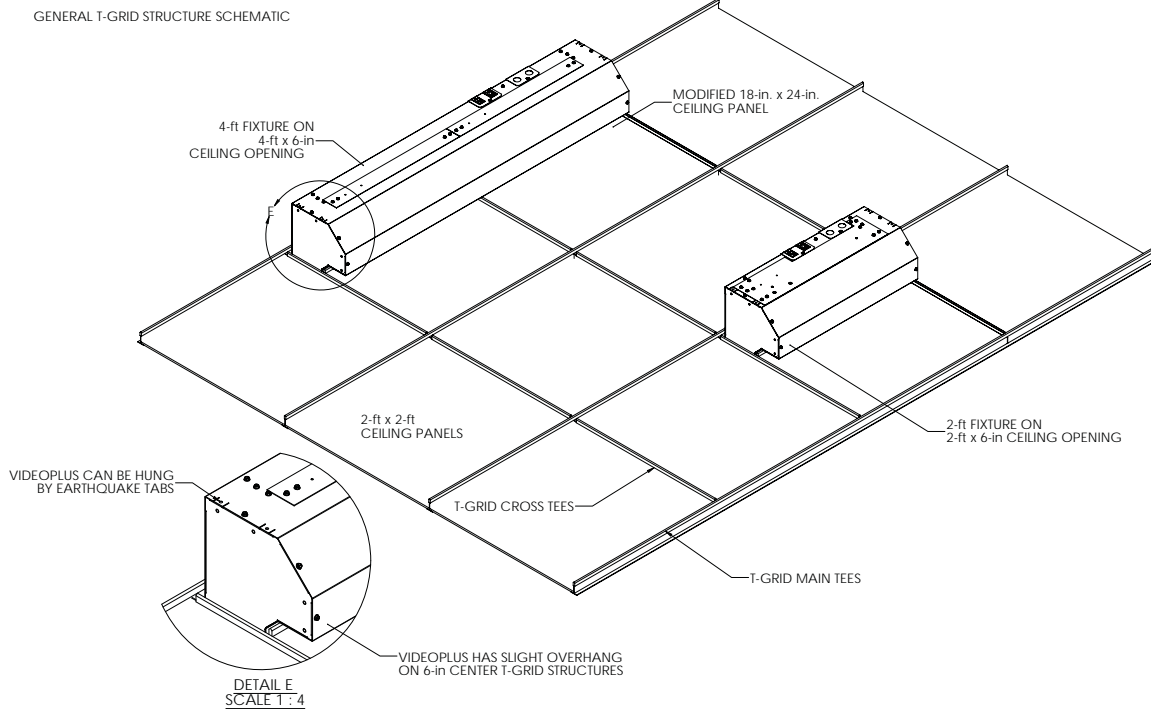


**Continuous Run Ceiling Installation**

CUSTOM MADE YOKES ARE TO BE USE BECAUSE OF THE OVERHANG BY THE VIDEOPLUS  
NOTE: HANGWIRES FOR VIDEOPLUS NOT SHOW IN MAIN IMAGE (SHOWN IN DETAIL D).



**Standard Ceiling Installation**



580 Mayer Street - Building # 7 - Bridgeville, PA 15017 USA

Phone: 1.412.206.0106

www.brightlines.com



© 2017 Brightline LP All Rights Reserved

Specifications are subject to change without notice.

07/27/17