

**Construction**

Fixture housing is made of formed, cold-rolled sheet steel.

**Fixture Body Finish**

Low-gloss, Easy-White finish (Tiger Drylac 449/11707 smooth flat).

**Reflector**

Reflector is formed aluminum White-Optics sheet-metal construction, featuring 95% reflectance.

**LED Technology**

The fixture utilizes LED technology to emit high quality illumination for videoconferencing applications. 44 watts, 3915 Lumens, >90 CRI

**Drivers**

All drivers are high-frequency electronic, with a power factor > .95, THD < 10%, and a Class A sound rating. Drivers are mounted internally.

**Mounting**

Fixture can be mounted in a suspended, lay-in grid ceiling. Optional drywall frame kit available.

**Fixture Dimensions and Weight**

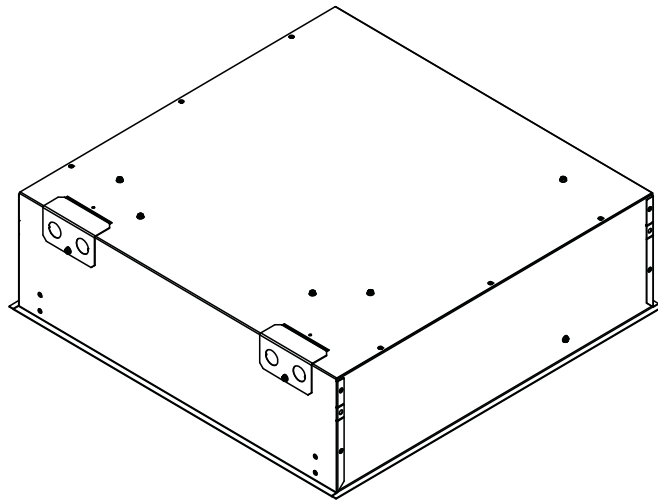
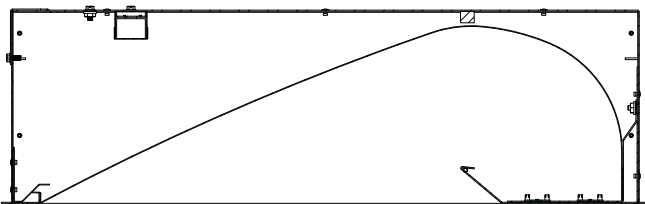
23.75- x 23.75- x 7.08-in  
(603.25- x 603.25- x 179.62-mm)

**Fixture Weight:**

22-lb (10-kg)

**Electrical Certifications**

UL, cUL and CE



LVCI		
	Driver Type	Voltage
LED VC Indirect	A = 0 - 10V	1 = 120V
	E = Ecosystem	2 = 230V
	N = Non-Dim	7 = 277V
	X = Digital	

Color Temperature
30 = 3000°K
35 = 3500°K
40 = 4000°K

Shipping Information
Length: 24-in (610-mm)
Width: 24-in (610-mm)
Height: 7.25-in (185-mm)
Weight: 24-lb (10.9-kg)

580 Mayer Street - Building # 7 - Bridgeville, PA 15017 USA

Phone: 1.412.206.0106 - Fax: 1.412.206.0146