

### Advanced Motorized Positioning Capability

Brightline has introduced second-generation motor capability to our T-Series fixtures. Adding a motor module provides the T-Series fixtures with self-contained and independently addressable motion capability, which enables rotating the luminaire lamp carriage from its horizontal axis to angular positions through +/-50 degrees from the down-light position with 1-degree incremental resolution. T-Series fixtures so equipped are stand-alone "nodes," which may also be interconnected via 6-conductor data cable with RJ-25 plugs to comprise a "node control network." The "node control network" facilitates simultaneously orienting more than 100 luminaires within a span of a few seconds. Luminaire node control networks are typically supervised by AV/building automation controllers, via serial protocol RS-232/RS-422.

Onboard memory provides for up to 60 unique scenes on a node control network of up to 1000 feet total length in standard configuration. Special configurations for greater network lengths are possible upon request.

Motor modules accept universal single-phase AC power (120-230V 50/60Hz) and draw approximately 12-watts.

For more information concerning the lamps, drivers, fluorescent ballasts and dimming systems please refer to the T-Series fixture data sheets.

### Construction

Fixture housing is made of formed, cold-rolled sheet steel. Dome-shaped interior fixture housing. Perforated filler panels are optional.

### Fixture Body Finish

Low-gloss, Easy-White finish (Tiger Drylac 449/11707 smooth flat) is standard, with custom colors available.

### Fixture Carriage and Reflector

Two sizes of lamp carriage are available, housing one or two 55-watt lamps. Reflectors are made of formed aluminum sheet metal construction, featuring 97% reflectance.

### Ballast

Ballasts are available in switched or in a variety of dimmable configurations. All ballasts are high-frequency electronic, with a Power Factor > .97, THD, 10% and a Class A sound rating. Ballasts are housed in the fixture housing. Power and control inputs are from the side.

### Lamps

This Brightline fixture uses 55-watt compact fluorescent lamps, available in a variety of color temperatures and CRI ratings (see the Fixture Accessories and Lamps datasheet for details). Studioline and Cinema Series lamps are optimized specifically for video camera applications.

### Articulation

Motorized: Fixtures with motorized articulation are available with a 1- or 2-lamp carriage. Offers angular movement (+/-50 degrees) on a single axis.

### Accessories

A variety of control screens are available to shape the light-beam pattern (see the Fixture Accessory and lamps datasheet for details). White finish screens are standard, with black finish as an option. All screens come with Glare reduction gel for optimized comfort. Prismatic lenses are available for one and two lamp carriages.

### Fixture Dimensions and Weight

Inch Panel: 11.75- x 26.41- x 7.07-in  
(298.45- x 670.81- x 179.62-mm)

Metric Panel: 298- x 662.69- x 179.62-mm  
(23.43- x 26.09- x 7.072-in)

Fixture Weight: 20-lb (9.072-kg)

### Electrical Certifications

UL, cUL, CE\* and C-Tick.

Shipping Information
Length: 27-in (686-mm)
Width: 25.25-in (648-mm)
Height: 8.25-in (305-mm)
Weight: 22-lb (11.3-kg)

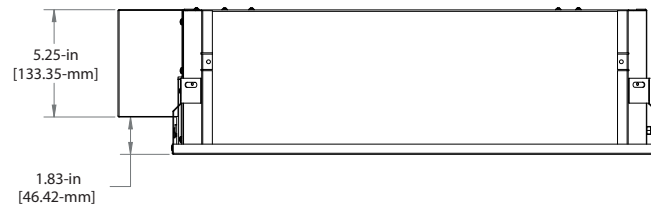
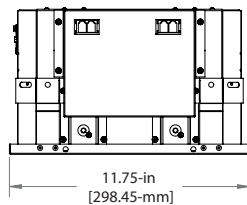
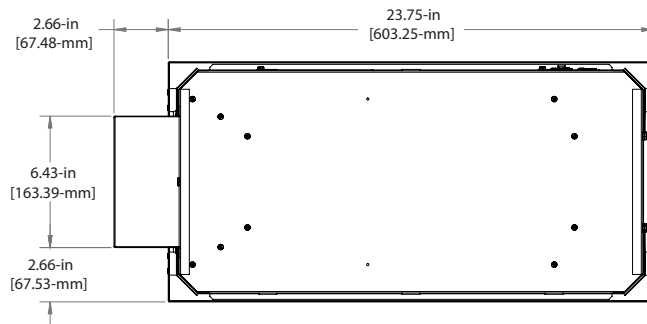
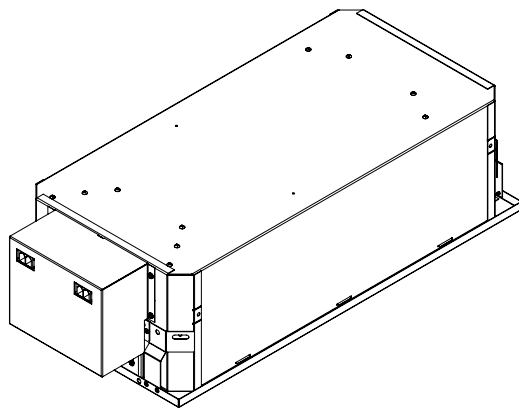
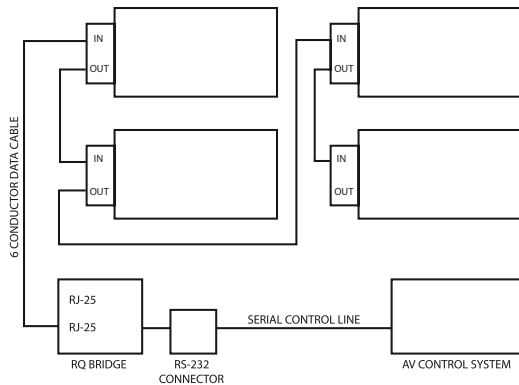


\*Note: 2-lamp rotate fixtures in DALI or Non-Dim are CE certified.

US Patent No. 6,517,216. Other US and foreign patents pending.

580 Mayer Street - Building # 7 - Bridgeville, PA 15017 USA

Phone: 1.412.206.0106 - Fax: 1.412.206.0146



T	Lamps Carriage	Ballast Type	Voltage
T-Series	01 = One 1-Lamp Carriage	A = 0 - 10V	1 = 120V
	11 = Two 1-Lamp Carriage	E = Ecosystem	2 = 230V
	02 = One 2-Lamp Carriage	P = Phase	7 = 277V
		N = Non-Dim	
		X = Digital	
	00 = No Lamp Carriage		

Articulation
M = Motorized Rotate

Panel Size	Panel Style	Mounting Style
I = Inch	S = Solid	MM = Mini Mount
M = Metric	P = Perforated	CM = Center Mount
		OM = Offset Mount
		45 = 45-Degree Mount

Note: Dual 1-1 lamp carriage cannot be Drop-Pan-Tilts.  
 Note: Phase Dim Ballasts are not available in 230V.  
 Note: Custom Finish is available. Add a "-CF" to the end of the part number.  
 Note: Fixtures require Control Screens and Lamps; see Fixture Accessories and Lamps datasheet for options.

580 Mayer Street - Building # 7 - Bridgeville, PA 15017 USA

Phone: 1.412.206.0106 - Fax: 1.412.206.0146