

# LED Micro-T

---

## Operating Instructions

## Safety

- Fixture installation should be performed in accordance with local and national codes. All fixtures must be properly grounded.
- To prevent fire or electric shock, do not expose the fixtures to water or moisture.
- A qualified technician should perform service on fixtures. Do not remove the driver cover until the unit has been de-energized.

## Owner's Record

- The serial number of this product can be found on the side of the main housing. You should note the model number and the serial number in the space provided and retain this book for future reference as a permanent record of your purchase.

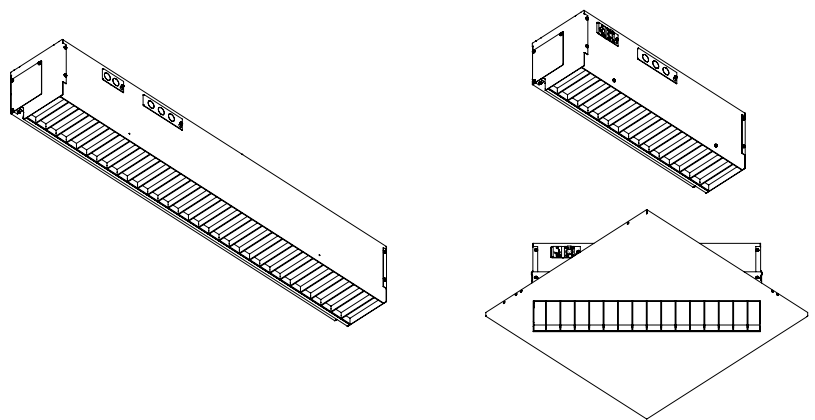
**Model No.** \_\_\_\_\_

**Serial No.** \_\_\_\_\_

**Date of Purchase** \_\_\_\_\_

## Product Description

- The Brightline LED Micro T models are single channel, LED videoconferencing fixtures that mount in a Tech-Zone or other 6-inch track. LED Micro-Ts may also be mounted in a false ceiling, replacing a section of tile, or in a drywall/gypsum ceiling. These fixtures combine high-frequency electronics with a state-of-the-art optical system to produce a soft, flicker-free light.



580 Mayer Street - Building # 7 - Bridgeville, PA 15017 USA

Phone: 1.412.206.0106 - Fax: 1.412.206.0146

## Specifications

---

**Housing:**

20-gauge (.036") formed, cold rolled steel sheet-metal construction

**Heat sink:**

6063-T5 Aluminum Extrusion

**LED Drivers:**

Control - 0-10V, DALI, or Non-Dim  
Input: 120-277V, 50/60Hz, 1.05A max. Output: 48v, 1.05A, 50-100W  
Please contact factory for exact driver specification and custom configurations

**Color Temperature:**

3200K, 50,000 hours - 96CRI

5600K, 50,000 hours - 96CRI

\*Remote phosphor plates with a PET film substrate

**Reflector:**

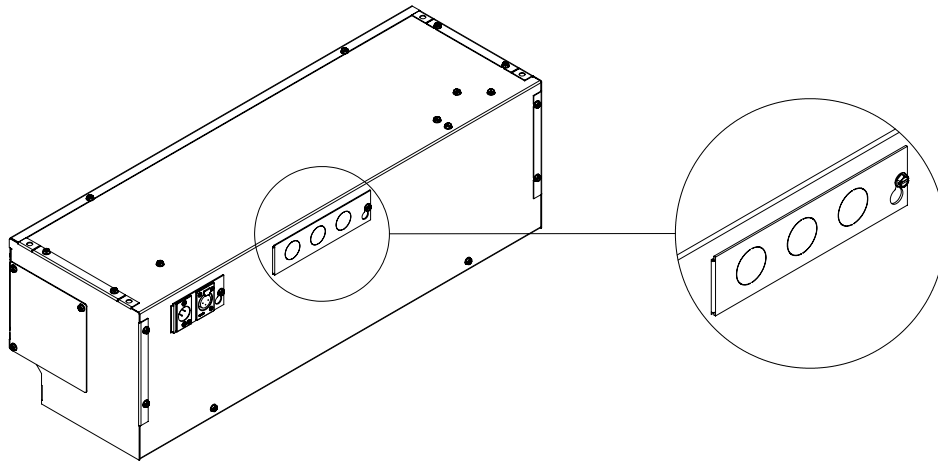
24-gauge (0.020") #4 Mirror Finish Aluminum Sheet Metal

**Finish:**

Low glare, polyester powder coat

## Installation

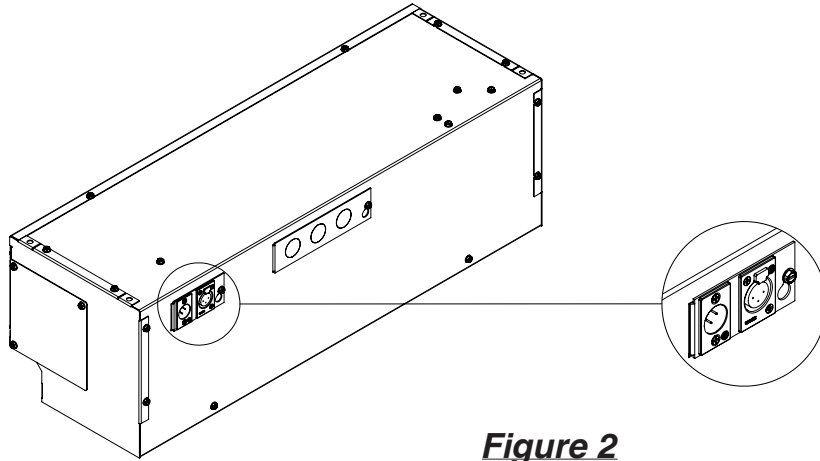
1. Prepare the line voltage wiring to the fixtures. You may want to partially install the power wiring before the fixture is placed in the T-track if access is difficult. Ensure that the supply voltage matches that required by the driver. To install the power feed, loosen the screw holding the power entry plate and remove the plate (Figure 1). Remove the knockouts as needed and install the correct type of power cabling and strain relief (not provided). Connect the wires from the feed using wire-nuts, observing the wire color coding, and re-install the knockout plate. Brightline fixtures intended for the North American market use black/white/green wires respectively for line/neutral/ground; fixtures shipped to other locations use brown/blue/green-yellow for line/neutral/ground. In most cases, it is useful to install sufficient slack in the power cable so that the fixture may be moved to an adjacent tile opening without having to extend the wiring.



***Figure 1***

## Installation

2. If the fixture requires digital control, the fixture will have locking XLR-type plugs for the control cables. Install the control wiring above the T-track grid. Male and female plugs are installed into receptacles (Figure 2) on each fixture; as they are wired in parallel, the control wiring can be daisy-chained.

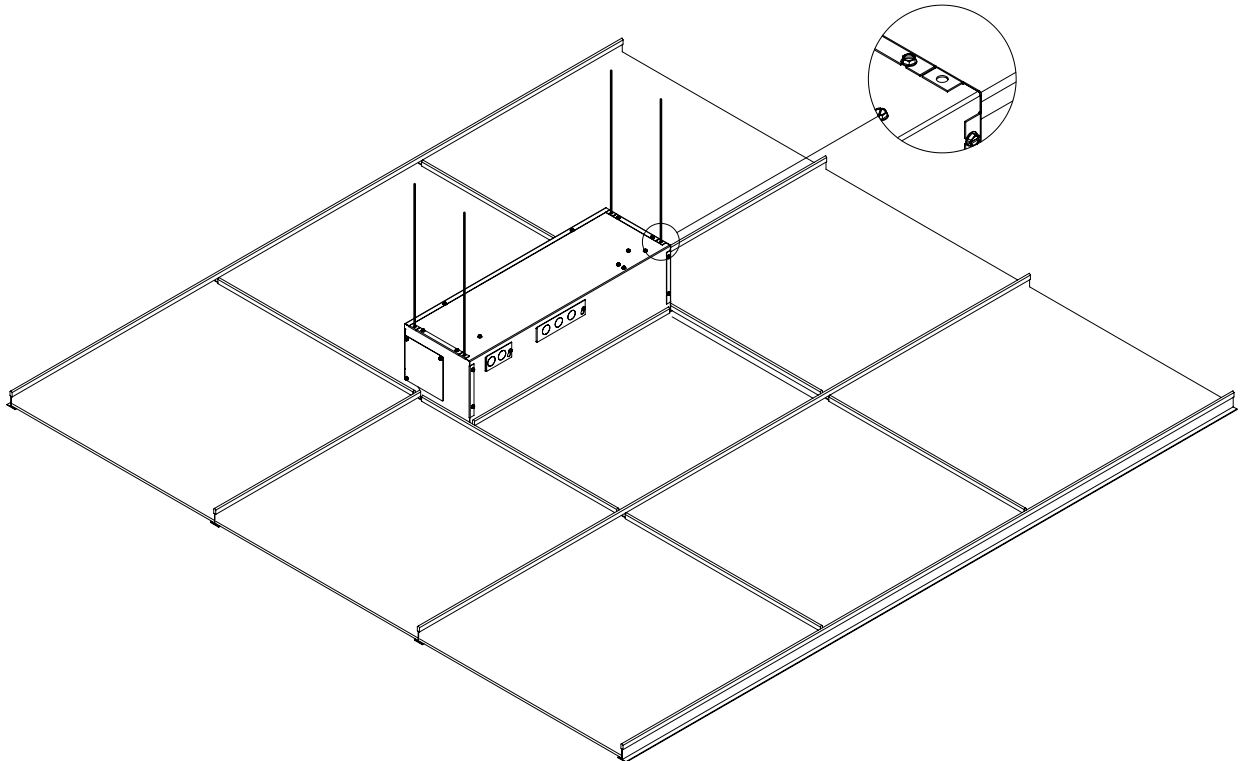


**Figure 2**

3. Prepare the T-track to receive the fixtures. LED Micro-T fixtures are either a nominal 6" x 2' (155mm x 610mm) or a 6" x 4' (155mm x 1220mm) size. It may be necessary to add additional track sections and/or prepare differently sized ceiling tiles. For ease of installation, a minimum of 8" (200mm) of clear height above the track is recommended. Make sure that the T-track is sufficiently braced to accept the weight of the fixtures; these fixtures weigh 15.94 (2-ft linear), 21.56 (2-ft diagonal), and 30.06 (4-ft linear) pounds.
4. Place the fixtures into the correct openings in the ceiling grid in accordance with plans provided by **Brightline** or the local architect or engineer. **Brightline** fixtures are not Insulated Ceiling (IC) rated. Maintain the proper distance from insulation.

## Installation

5. Install “safety wires” by bending tabs on top of the fixture to a vertical position and attach to the building structure, in compliance with local codes (Figure 3). Do not rely on the T-track to hold the weight of the fixture.

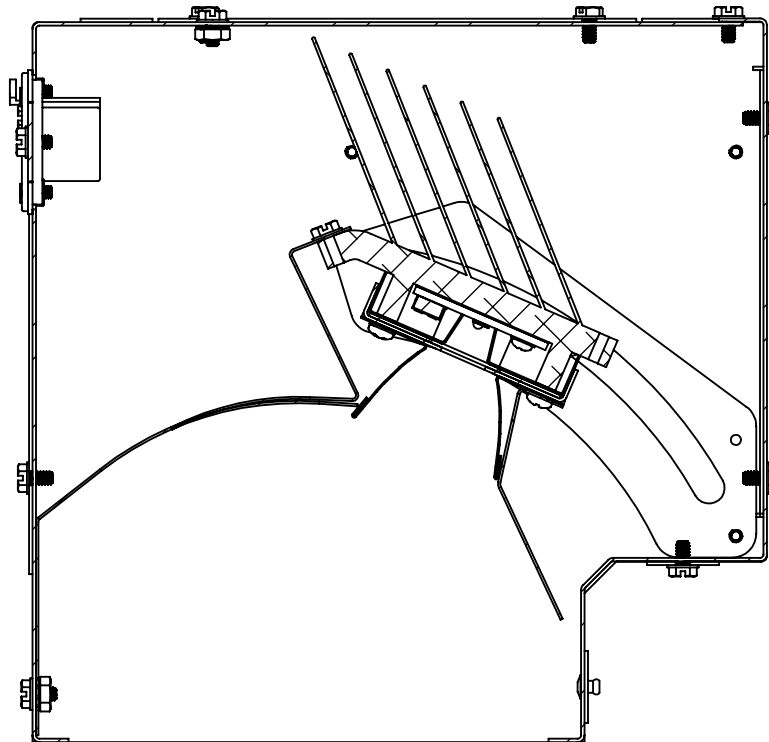


**Figure 3**

6. Complete the installation of the power (and control, if required) wiring.

## Installation

7. Aim the fixture video channel in compliance with the directions provided by Brightline or the specifier. The video channel will articulate between 25° to 50° from vertical. (Figure 4)



**Figure 4**

## Trouble Shooting Guide

Problem	Possible Cause	Solution
Lights flicker or drop out at low end	Driver not configured properly	Consult factory
Lights are flashing or strobing	Loose cable connection or insulation may be covering fixture	Make sure cable is secure or remove any insulation surrounding fixture





## WARRANTY

**Brightline** guarantees all its products to be free from defects in materials and workmanship for a period of three (3) years from the date of shipment.

## PROCEDURES

If any product is found to be unsatisfactory under this warranty, the buyer must notify **Brightline** immediately. Once a course of action has been determined, if it is necessary to return the product to **Brightline**, a Return Authorization (RA) will be issued. Ship the product directly to **Brightline**, 580 Mayer Street, Building #7, Bridgeville, PA 15017 USA. The RA number should be marked on the shipping carton. The unit will be replaced or put into proper operating condition, free of all charges. The correction of any defects through repair or replacement by **Brightline** shall constitute fulfillment of all obligations and liability of **Brightline** to the buyer under this warranty and the contract of sale.

## DISCLAIMERS

**Brightline** is not responsible for damage to its products caused by improper installation, maintenance, or use, by improper electrical hookups, or by unauthorized repairs.

Failure to notify **Brightline** of unsatisfactory operation or any improper or unauthorized installation, maintenance, use, repairs, or adjustments shall terminate the warranty and **Brightline** shall have no further responsibility under the warranty.

**Brightline** shall not be liable for special or consequential damages in any claim, action, suit, or proceeding arising under this warranty or contract of sale, nor shall **Brightline** be liable for claims for labor, loss of profits or goodwill, repairs, or other expenses incidental to replacement. **Brightline** makes no other warranty of any kind whatsoever, expressed or implied, and all implied warranties of merchantability and fitness for a particular purpose that exceed the obligation specifically described in this warranty are hereby disclaimed by **Brightline** and excluded from this agreement. All shipments, unless otherwise noted, are F.O.B. factory.

The customer is advised to inspect for shipping damage, apparent and/or hidden. If detected, notify the transportation company and file your claim.

580 Mayer Street, Building #7, Bridgeville, PA 15017 USA · phone 1.412.206.0106 · fax 1.412.206.0146  
[www.brightlines.com](http://www.brightlines.com)

580 Mayer Street - Building # 7 - Bridgeville, PA 15017 USA

Phone: 1.412.206.0106 - Fax: 1.412.206.0146