

Construction

Fixture housing is made of formed, cold-rolled sheet steel.

Fixture Body Finish

Low-gloss, Easy-White finish (Tiger Drylac 449/11707 smooth flat).

Low Voltage Control

19" Rack-mounted driver is available with up to 600w of power. Multiple drivers can be linked for any size project. Low voltage control available for 120-230V applications.

Power Over Ethernet Control

Fixture are available with PoE control nodes. Consult with factory for specification of complete PoE systems. PoE Control available for 120-230V applications.

LED Technology

The fixture utilizes LED technology to emit high quality illumination for videoconferencing applications. 44 watts, 3915 Lumens, >90 CRI

Drivers

All drivers are high-frequency electronic, with a power factor > .95, THD < 10%, and a Class A sound rating. Drivers are mounted internally.

Reflector

Reflector is formed aluminum White-Optics sheet-metal construction, featuring 95% reflectance.

Mounting

Fixture can be mounted in a suspended, lay-in grid ceiling. Optional drywall frame kit available.

Fixture Dimensions and Weight

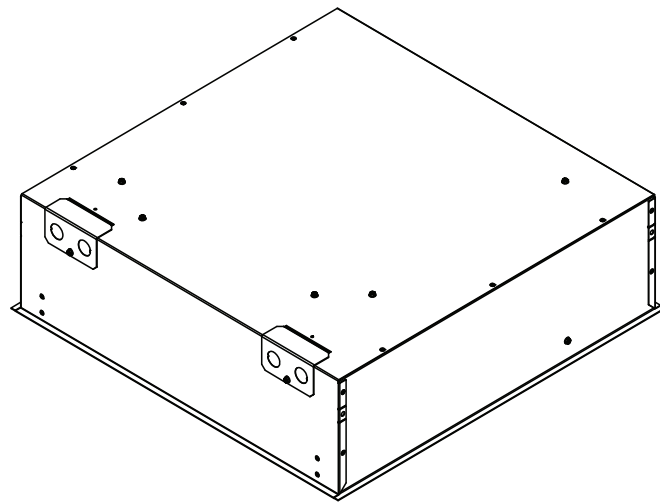
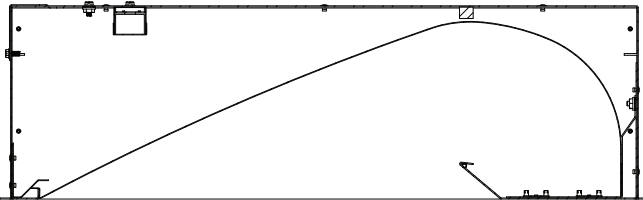
23.75- x 23.75- x 7.08-in
(603.25- x 603.25- x 179.62-mm)

Fixture Weight:

22-lb (10-kg)

Electrical Certifications

UL, cUL and CE



LVCI		
Indirect Videoconference	Dimming Protocol	Voltage
	A = 0-10V	1 = 120V
	E = Lutron Ecosystem	2 = 230V
	X = Digital	7= 277V
	L = Low Voltage	U = L or Z Dimming only
	Z = PoE (60W)	

Color Temperature
30 = 3000°K
35= 3500°K
40 = 4000°K

Shipping Information
Length: 24-in (610-mm)
Width: 24-in (610-mm)
Height: 7.25-in (185-mm)
Weight: 24-lb (10.9-kg)

580 Mayer Street - Building # 7 - Bridgeville, PA 15017 USA

Phone: 1.412.206.0106

www.brightlines.com