

Construction

The fixture housing is made of formed, cold-rolled sheet steel. Heat sink is made of aluminum extrusion. Reflectors are of specular aluminum sheet metal construction featuring a 95% reflectance.

Fixture Body Finish

Low-gloss Signal White finish (Ral #9003, 20% Gloss).

Power and Control

All LED Drivers are high-frequency electronic, with a power factor > .94, THD < 10%, and a Class A sound rating. Drivers are mounted internally.

Low Voltage Control

19" Rack-mounted driver is available with up to 600w of power. Multiple drivers can be linked for any size project. Low voltage control available for 120-230V applications.

Power Over Ethernet Control

Fixture are available with PoE control nodes. Consult with factory for specification of complete PoE systems. PoE Control available for 120-230V applications.

LED Technology

The fixture utilizes remote phosphor technology to emit high quality illumination (>95 CRI) for videoconferencing and broadcast applications. Each channel has a variable power wattage range from 10-watts to 24-watts per linear foot.

Directional Beam Angle

The LED component can articulate 25° to 50° from vertical and has a 25° beam spread.

Accessories

Louvers provide complementary aesthetics to most architectural styles. Louvers available in white or custom finish. 2-ft. fixtures have the option to be mounted at a 45° angle into a ceiling panel fitted for a 2-ft. x 2-ft. grid.

Electrical Certifications

UL, cUL and CE

Fixture Dimensions and Weight

2-foot

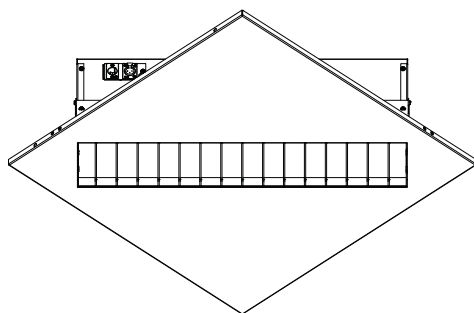
Inch: 23.79-in x 7.70-in x 7.54-in
(604.37-mm x 195.52-mm x 191.41-mm)
Aperture: 5.00-in x 23.65-in
(127.00-mm x 600.71-mm)
Fixture Weight: 15.94-lbs (7.23-kg)

2-foot panel

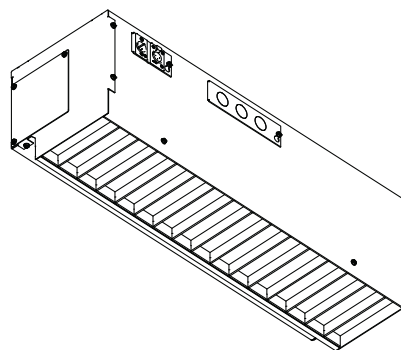
Inch Panel: 23.75-in x 23.75-in x 7.58-in
(603.25-mm x 603.25-mm x 191.41-mm)
Metric Panel: 595-mm x 595-mm x 191.41-mm
(23.43-in x 23.43-in x 7.54-in)
Fixture Weight: 21.56-lbs (9.78-kg)

4-Foot

Inch: 47.79-in x 7.70-in x 7.54-in
(1213.97-mm x 195.52-mm x 191.41-mm)
Aperture: 5.00- x 47.65-in
(127.00- x 1210.31-mm)
Fixture Weight: 30.06-lbs (13.63-kg)



LED Micro-T 45° Option



LED Micro-T 90° Option
US and Foreign Patents Pending.

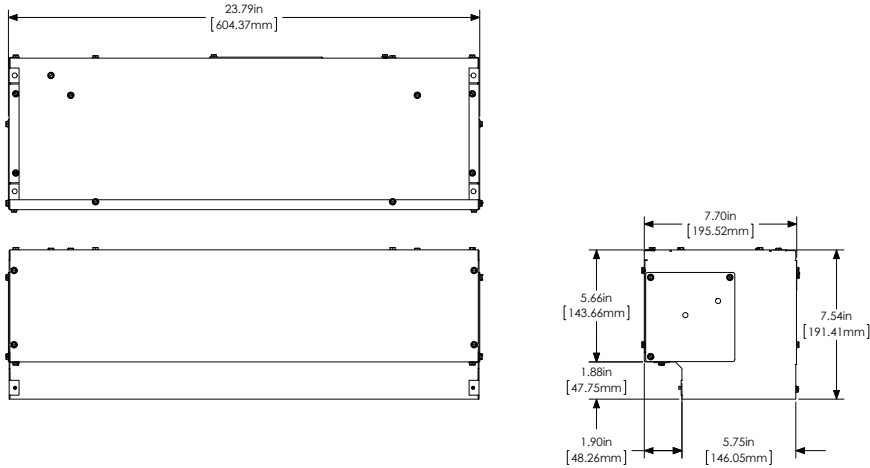
580 Mayer Street - Building # 7 - Bridgeville, PA 15017 USA

Phone: 1.412.206.0106

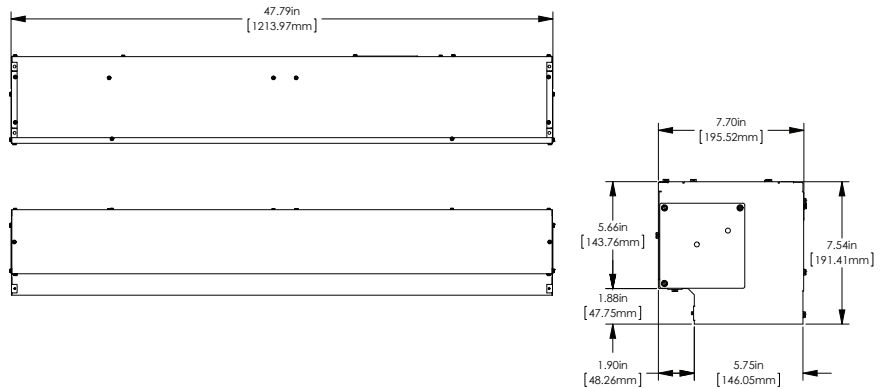
www.brightlines.com



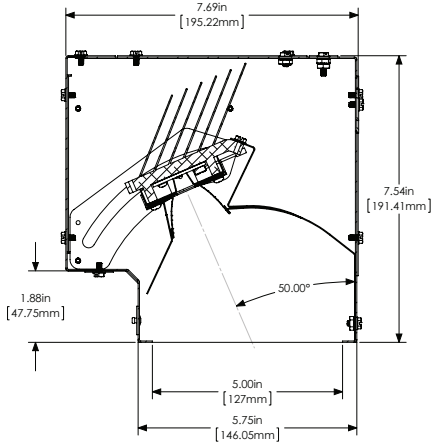
LED Micro-T 2-Foot Dimensions



LED Micro-T 4-Foot Dimensions



LED Micro-T Section View



LMT					
Micro-T	Length	Dimming Protocol	Voltage	Color Temperature	Panel Size (2-ft only)
	2 = Two Foot	A = 0-10V	1 = 120V	32 = 3200K	I = Inch
	4 = Four Foot	E = Lutron EcoSystem	2 = 230V	41 = 4100K	M = Metric
		X = Digital	7 = 277V	56 = 5600K	
		L = Low Voltage	U = L or Z Dimming only		
		Z = PoE (60W)			

580 Mayer Street - Building # 7 - Bridgeville, PA 15017 USA

Phone: 1.412.206.0106

www.brightlines.com



© 2019 Brightline LP All Rights Reserved

Specifications are subject to change without notice.

06/19/19