

## Brightline Fixtures

- A variety of Brightline fixtures are available with low-voltage power and control (see datasheets on website for details).
- Fixtures ship with 16AWG low-voltage wire included. Simply trim wire to required length, attach to fixture wire nut, then run to 6060 Power Driver and plug in.\*

## 6060 Power Driver (P/N CTRL-RPD-LV-6060-XXXX)

- Each 6060 Power Driver ships from factory configured for operation.
- Additional 6060 Power Drivers will need DMX starting address configured.\*
- Once 6060 Power Driver is connected to 120V or 230V power supply, it is ready for use.
- DMX control console and CTRL-WS-LV-SR516 required for standalone system.

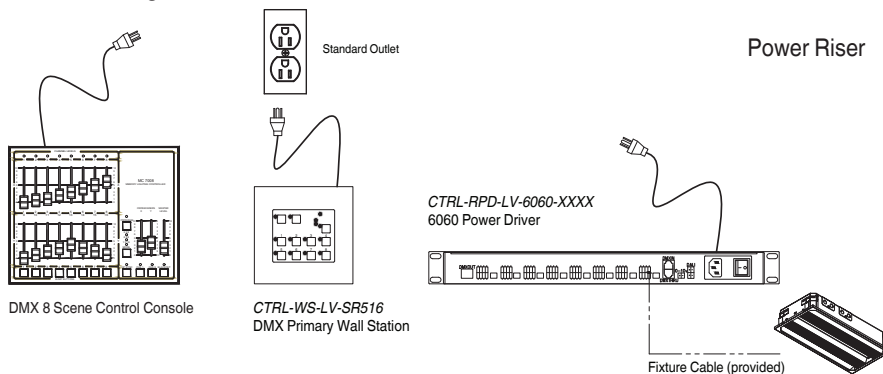
## DMX Control Platform

- Any software or DMX control console capable of outputting DMX512 will work with the 6060 Power Driver.
- Connect the integration system to the DMX IN on the 6060 Power Driver.\*

## 16 Scene Wall Mounted Playback Station (P/N CTRL-WS-LV-SR516)

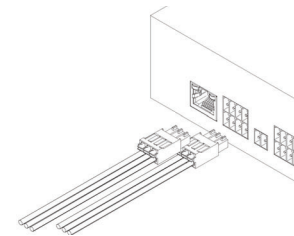
- A primary wall station will store up to 16 scenes for quick playback. Each scene will operate exclusively.
- The primary wall stations come configured for Brightline's low-voltage system. The secondary wall stations (CTRL-WS-LV-AC1109) connect seamlessly with no need for configuration.

\*Refer to the **Low-Voltage DMX Control Installation Instructions** for details.



## Setup

1. Connect control devices to a standard wall outlet or other managed power supply.
2. Once installed, connect Brightline fixtures using the provided wire and Phoenix connectors and trim excess wire (see detail below).



3. Connect the DMX controller to the 6060 Power Driver's DMX IN port or through the CTRL-WS-LV-SR516 Snapshot Station.

4. Apply power to the system.

\*\*Integrated systems need only supply a DMX IN connection to 6060PowerDriver

