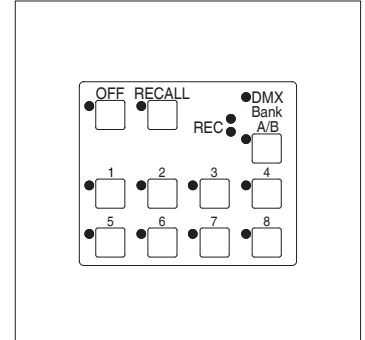


## Brightline CTRL-WS-LV-SR516 Overview

The CTRL-WS-LV-SR516 low-voltage primary wall station ships from the factory configured for integration with the low-voltage 6060 Power Driver. Once the wall station is installed and connected (see Brightline Low Voltage System Quick Setup Guide for details) it is ready for use with the low-voltage system and can store up to 16 scenes. All components necessary for integration in a Brightline low-voltage videoconferencing system are provided and include:



- CTRL-WS-LV-SR516 Wall Station
- 12 VDC power supply
- 100-ft RJ45 to bare lead cable
- 100-ft 5Pin XLR (M) to bare lead cable

**100-ft 5Pin XLR (M) to bare lead** – Connect the bare leads to **DMX IN**, then run to DMX console or DMX integration device (see *figure 1* for wiring detail).

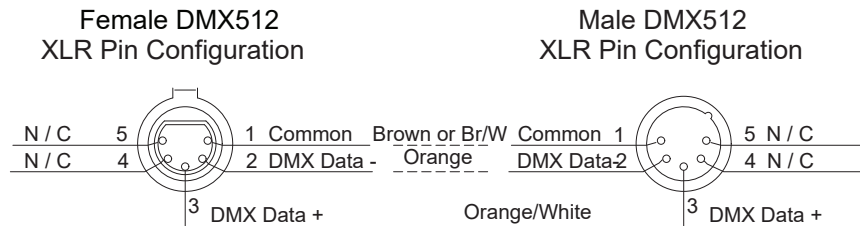
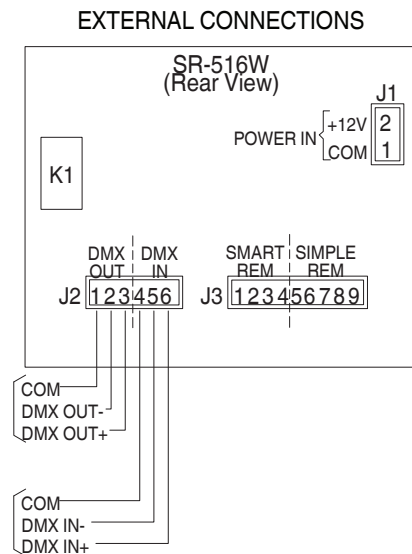
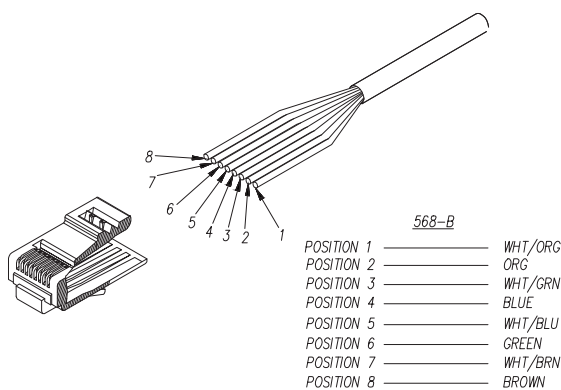


figure 1

**100-ft RJ45 to bare lead** – Connect the bare leads to **DMX OUT**, then run to 6060 Power Driver (see *figure 1* for wiring detail).



### Testing System Operation

Button 1 is configured for testing the system. Once all components are networked and powered on, press [ Button 1 ] in Bank A to bring all low-voltage fixtures to FULL. To turn fixtures off press [ OFF ].

(NOTE: the 6060 Power Driver can also be used to test proper function of fixtures. See **Brightline's Low-Voltage Installation Instructions** for detail.)

### Recording Scenes

The CTRL-WS-LV-SR516 control stations ship from the factory programmed with the following scenes:

- Scene 1      pre-set for all fixtures at FULL
- Scene 2-16    Blank

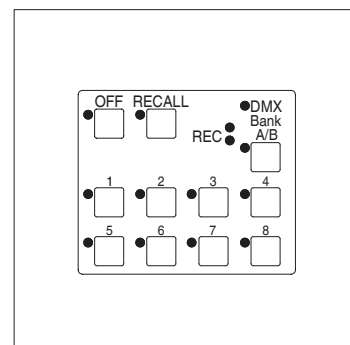
To record scenes for playback:

Set      **Fixture Levels** Using a DMX control console or integrated system

Press [ **REC** ]      to activate snapshot storing mode (use a pen or paperclip for recessed button)

Press [ **BUTTON #** ] of desired snapshot; Bank A = 1-8, Bank B = 9-16 (secondary wall stations will only respond to Bank A)

Snapshot storing mode will exit automatically.



### Brightline CTRL-WS-LV-AC1109 Overview

The **CTRL-WS-LV-AC1109** low-voltage secondary wall station requires no configuration for operation; once connected it automatically syncs with your primary wall station's Bank A stored scenes.

All components necessary for integration in a Brightline low-voltage videoconferencing system are provided and include:

- CTRL-WS-LV-AC1109 Wall Station
- 100-ft 24AWG 2 Pair cable with bare leads

### Connecting Remote Stations

The **CTRL-WS-LV-AC1109** requires a standard single gang back box. Use the included cable to connect to the **CTRL-WS-LV-SR516** primary wall station. Both power and control are supplied. Using the detail in *figure 2* connect your two wall stations.

