

**Housing**

14-gauge formed aluminum sheet metal construction. 16-gauge formed aluminum reflector. Metallic cool charcoal finish is standard, with custom colors available. The driver can be serviced without removing the LEDs or reflector.

**Bracket**

16-gauge (.06-in, 1.52-mm) formed aluminum sheet metal construction. Matte black finish.

**Mounting**

Fixture has a 10-gauge horizontal extruded aluminum yoke, with palm handles standard. Each fixture is supplied with a 2-inch OD C-clamp with an integral safety cable.

**Electrical**

A removable 12-ft (3.7-m) power cord with a NEMA 5-15P plug is standard; other plug types are available as options. The fixture is protected by an external removable fuse, with an onboard spare. Power draw 42-watts.

**Switch**

Onboard, rocker ON/OFF switch.

**LEDs** (16) 50,000-hour rated life; 3200°K or 5600°K;

**Driver**

LED Drivers are available for 120V-230V, 50-60 Hz operation. Class A sound rating. Dimmed fixtures may be controlled by Phase or by DMX-512. (Requires one DMX Address)

**Low Voltage Control**

19" Rack-mounted driver is available with up to 600w of power. Multiple drivers can be linked for any size project. Low voltage control available for 120-230V applications.

**Power Over Ethernet Control**

Fixture are available with PoE control nodes. Consult with factory for specification of complete PoE systems. PoE Control available for 120-230V applications.

**Dimensions**

BL.16 fixture is 8.6-in (218-mm) wide x 7.8-in (200-mm) high x 9.1-in (230-mm) deep. (With a horizontal yoke, the overall width of the fixture increases to 11.8-in [300-mm], which includes the palm handles.)

**Weight**

11-lb (5-kg); includes yoke, c-clamp, palm handles, LED cartridge and screen.

*See shipping information chart for gross weights and dimensions.*

**Certifications**

UL/cUL



Interchangeable optic cartridge allows for a multifunctioning fixture perfect for dynamic environments. Cartridges are easy to remove and install in the field.

|              |                 |                            |                |                   |
|--------------|-----------------|----------------------------|----------------|-------------------|
| <b>BL.16</b> | Control Type    | Voltage                    | Optics Choice  | Color Temperature |
|              | X = DMX         | 1 = 120V                   | B = Broad      | 32 = 3200K CCT    |
|              | P = Phase       | 2 = 230V                   | M = Medium     | 56 = 5600K CCT    |
|              | L = Low Voltage | U = L or Z<br>Dimming only | N = Narrow     |                   |
|              | Z = PoE (60W)*  |                            | S = Super Wide |                   |

\* Consult factory to ensure PoE system compatibility.

*US and foreign patents pending.*

580 Mayer Street - Building # 7 - Bridgeville, PA 15017 USA

Phone: 1.412.206.0106

[www.brightlines.com](http://www.brightlines.com)



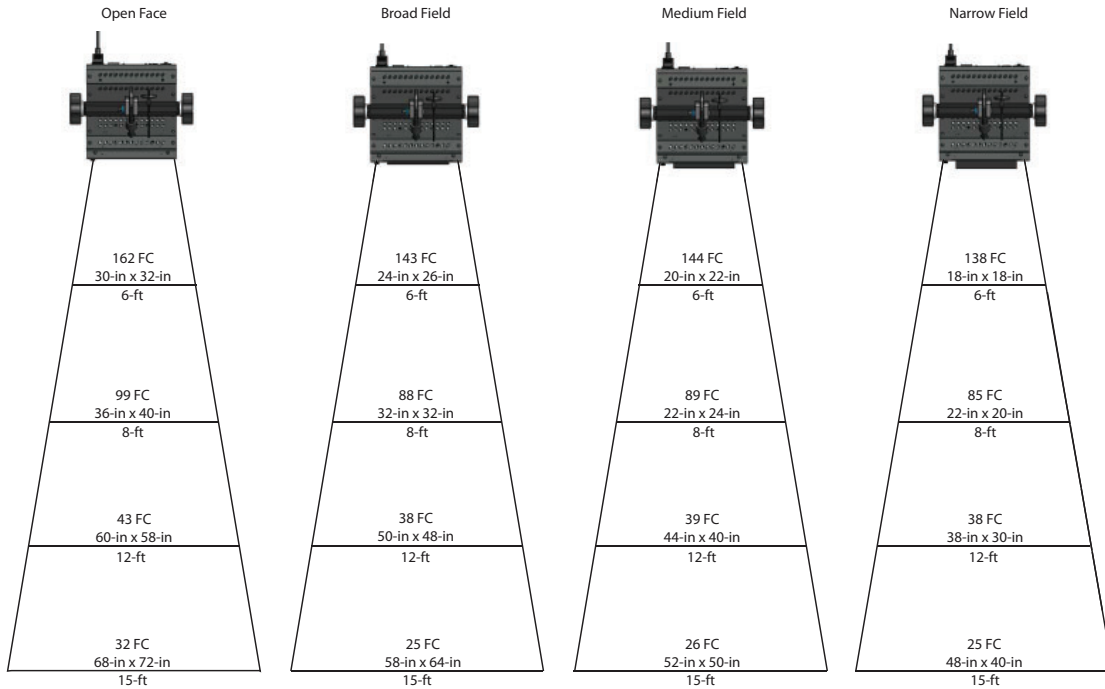
© 2019 Brightline LP All Rights Reserved

*Specifications are subject to change without notice.*

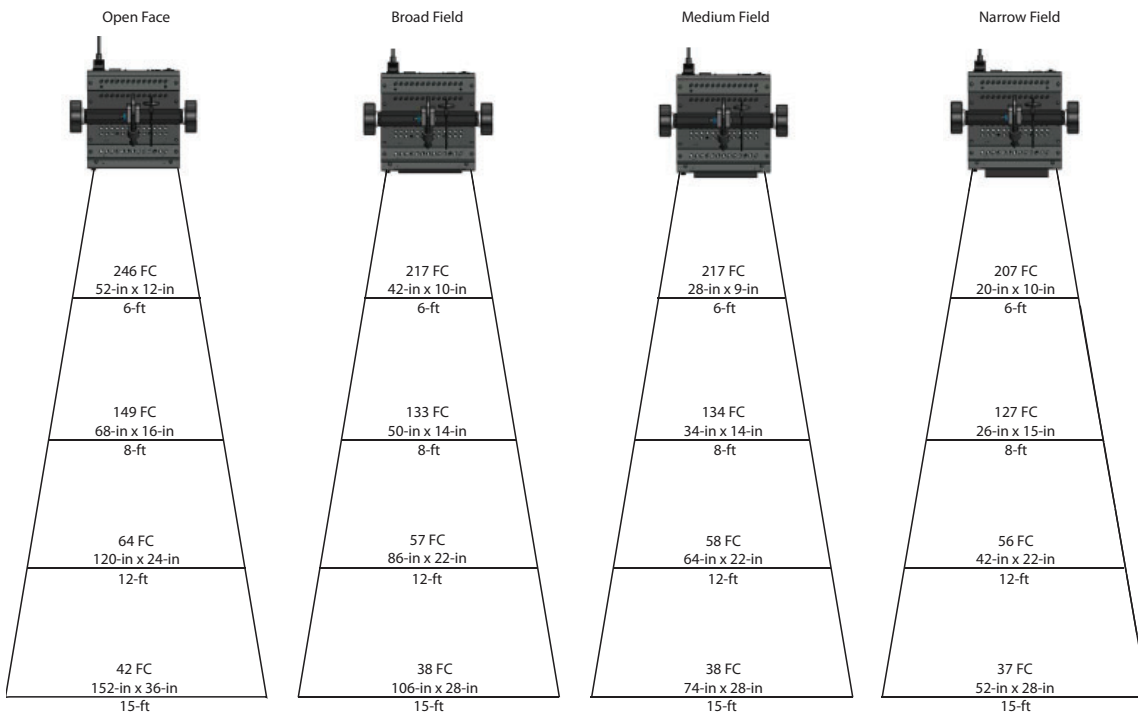
03/09/20



**Broad 5600K Optics & Control Screens**



**Super Wide 5600K Optics & Control Screens**



580 Mayer Street - Building # 7 - Bridgeville, PA 15017 USA

Phone: 1.412.206.0106

[www.brightlines.com](http://www.brightlines.com)



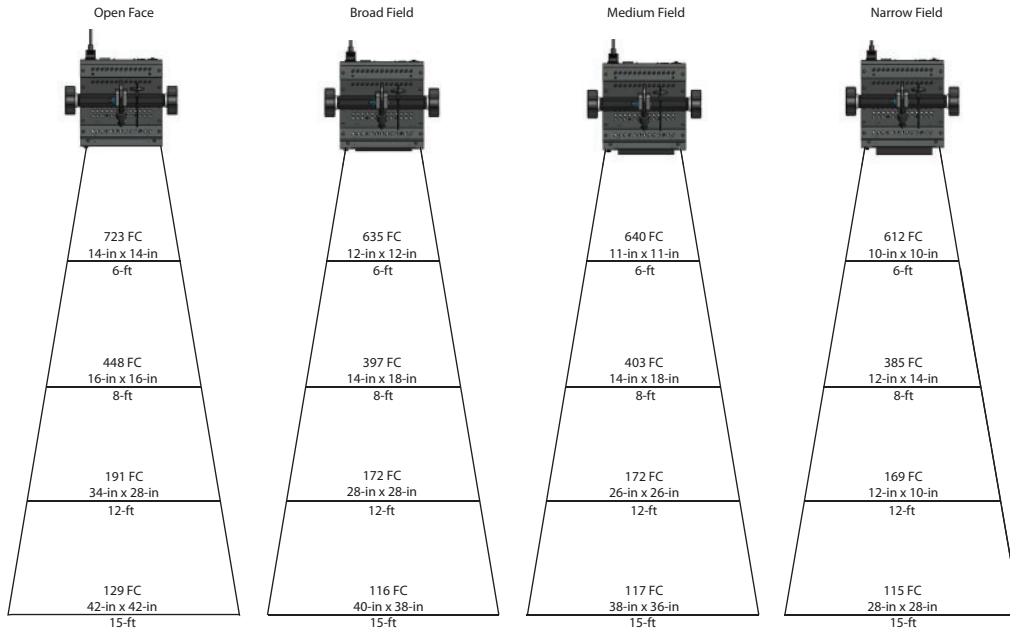
© 2019 Brightline LP All Rights Reserved

Specifications are subject to change without notice.

03/09/20



**Medium 5600K Optics & Control Screens**



**Narrow 5600K Optics & Control Screens**

