

Construction

14-gauge formed aluminum sheet metal construction. Heat sink is made of aluminum extrusion. The driver can be serviced without removing the light engine or mixing chamber.

Fixture Body Finish

Metallic cool charcoal finish is standard, with custom colors available.

Electrical

A removable 12-ft (3.7-m) power cord with a NEMA 5-15P plug is standard. Other plug types are available as options. The fixture is protected by an externally removable fuse with onboard spare. Power draw is 262 watts

Drivers

All LED Drivers are high-frequency electronic, with a power factor $>.94$, THD $<10\%$, and a Class A sound rating. LED Drivers are mounted internally to the fixture housing. The power and control inputs are on the handle. The dimming protocol is DMX or DALI.

LED Technology

The fixture utilizes remote phosphor technology to emit high quality illumination (>95 CRI) for broadcast and videoconferencing applications. Phosphor plates are available in either 3200 or 5600 Kelvin.

Mounting

Fixture has a 10-gauge horizontal or vertical extruded aluminum yoke, with palm handles standard. Each fixture is supplied with a 2-inch OD C-clamp with an integral safety cable. Compact yoke also available.

Accessories

A variety of accessories are available. Black finish on accessories is standard, with custom color available on request.

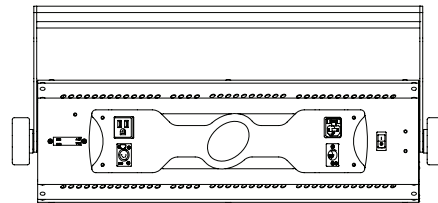
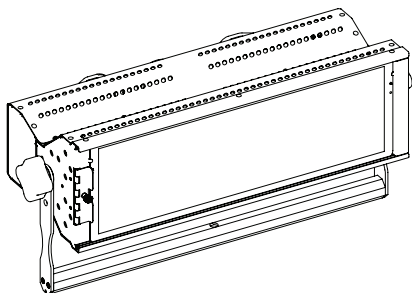
Fixture Dimensions and Weight

24.27-in (616.50-mm) wide x 12.49-in (317.16-mm) high x 10.37-in (263.41-mm) deep. Overall width of the fixture increases to 27.51-in (698.63-mm), with the palm handles included. Fixture Weight is 25-lb (11.3-kg)

See shipping information chart for gross weights and dimensions.

Certifications

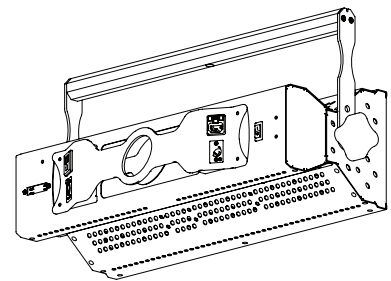
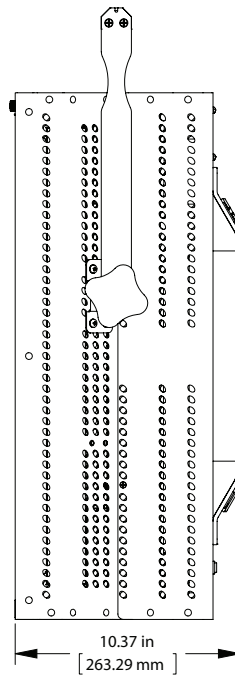
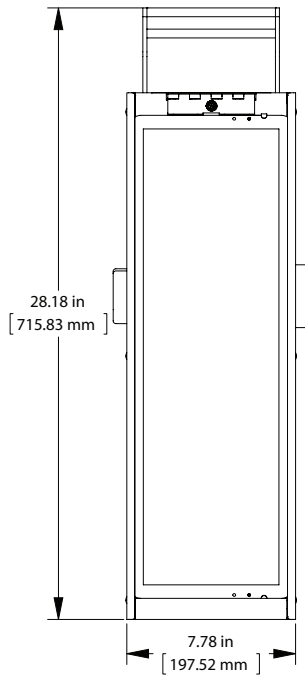
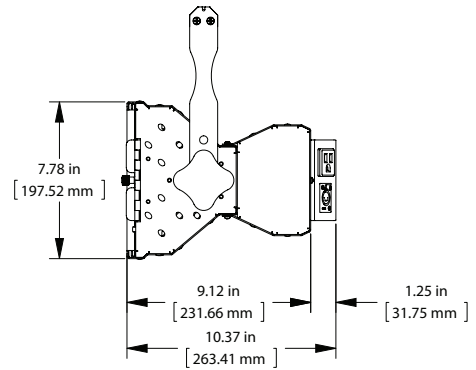
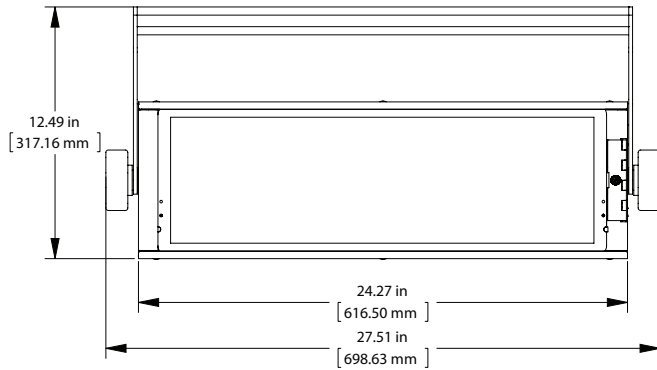
UL/cUL



580 Mayer Street - Building # 7 - Bridgeville, PA 15017 USA

Phone: 1.412.206.0106

www.brightlines.com



L					
SeriesONE	Power Option	Ballast Type	Voltage	Color Temperature	Yoke Type
	1.2 = 125 Watts	X = Digital	1 = 120V	32 = 3200K CCT	H = Horizontal
	1.4 = 262 Watts		2 = 230V	56 = 5600K CCT	V = Vertical
					C = Compact

580 Mayer Street - Building # 7 - Bridgeville, PA 15017 USA

Phone: 1.412.206.0106

www.brightlines.com



© 2019 Brightline LP All Rights Reserved

Specifications are subject to change without notice.

03/09/20