



**Use**

Ideal for transforming standard workspaces into video centers to foster spontaneous collaborations.

**Construction**

The fixture housing is made of formed steel and aluminum. The heat sink is made of 6063-T5 aluminum extrusion. Cover is made of ABS/PC Black Finish.

**Fixture Body Finish**

Low-gloss Jet Black finish (Ral #9005, 20% Gloss) is standard.

**Power & Control**

Power cord (6-ft) and dimmer wheel are located on the back of fixture. Operational voltage is universal, 120 - 230V.

**LED Technology**

The fixture utilizes mid power 3500°K CCT LEDs with high quality illumination (>90 CRI) for videoconferencing applications. Power consumption per fixture is 33 watts.

**Fixture Features**

Each fixture comes with an integral Black 0.5-in x 0.5-in eggcrate louver and glare filter. The fixture pans and tilts for focusing.

**Accessories**

Credenza base plate is included. Telescoping wall-mount bracket (p/n - CME2/WM) is available separately. Finish to match fixture.

**Fixture Dimensions and Weight**

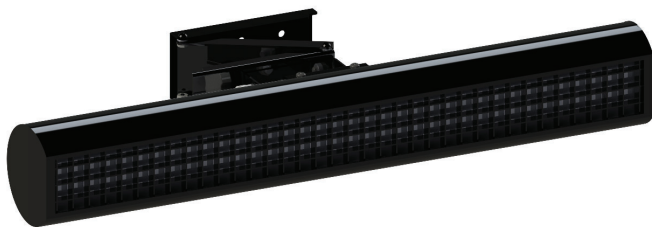
*Credenza Mount*

Fixture - 23-in long x 3.5-in diameter (584-mm long x 89-mm diameter)  
Base Plate - 7-in diameter x 0.125-in thick (178-mm diameter x 3.2-mm thick)  
Fixture Weight: 8-lbs (3.63-kg)

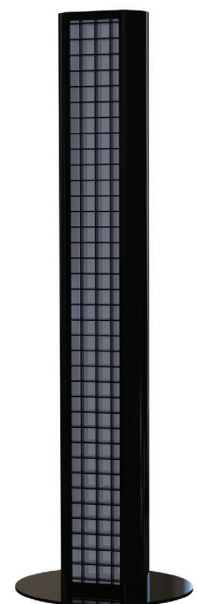
*Wall Mount*

Fixture - 23-in long x 3.5-in diameter (584-mm long x 89-mm diameter)  
Depth with Wall Bracket adjustable 6- to 11-in (152.4-mm to 279.4-mm)  
Fixture Weight: 9.5-lbs (4.31-kg)

See shipping information chart for gross weights and dimensions.



**Clarity  
for  
Collaboration**



580 Mayer Street - Building # 7 - Bridgeville, PA 15017 USA

Phone: 1.412.206.0106

www.brightlines.com



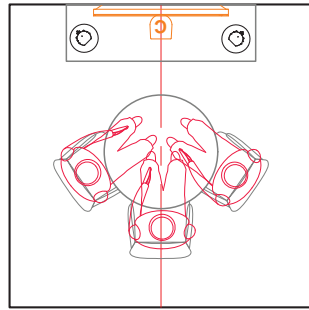
**brightline**

© 2020 Brightline LP All Rights Reserved

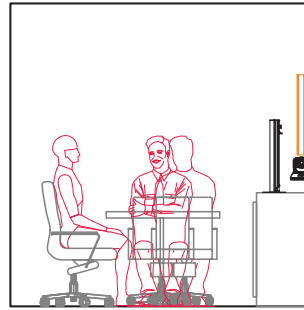


### Fixture Placement Recommendations

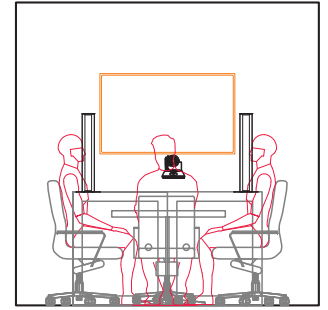
Dual Credenza Mount



Top View

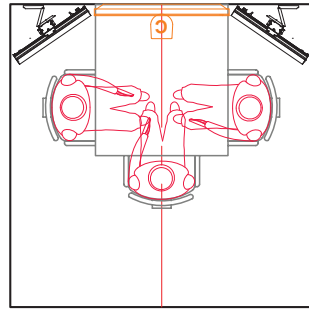


Side View

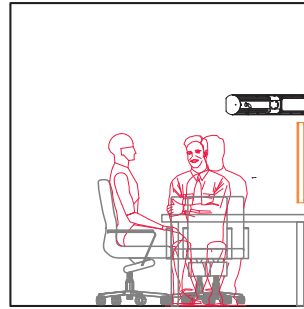


Elevation View

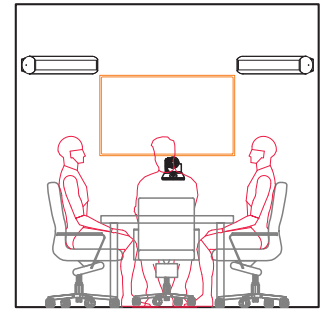
Dual Wall Mount



Top View

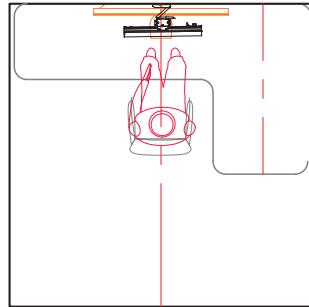


Side View

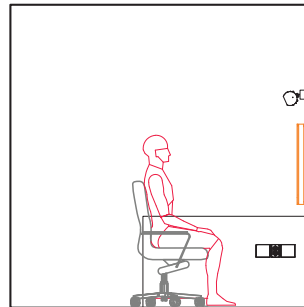


Elevation View

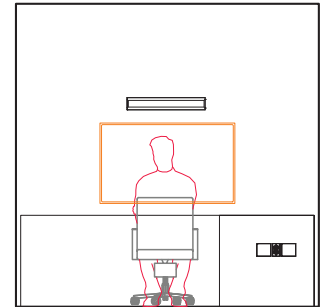
Single Wall Mount



Top View



Side View



Elevation View