



brightline[®]
Evolutionary Lighting Systems

Low-Voltage DMX Control

450 POWER DRIVER OPERATION GUIDE



580 Mayer Street - Building # 7 - Bridgeville, PA 15017 USA

Phone: 1.412.206.0106

www.brightlines.com

 **brightline**[®]

© 2021 Brightline LP All Rights Reserved

Specifications are subject to change without notice.

Safety

- To prevent fire or shock hazard, do not expose the unit to water or moisture. Use indoors only.
- A qualified technician should perform service on unit. Do not access internal components until the unit has been fully powered off.

Owner's Record

The model and serial number of this product can be found on the side of the fixture's main housing. You should note the model number and the serial number in the space provided and retain this book for future reference as a permanent record of your purchase.

Model #: _____

Serial #: _____

Date of Purchase: _____

Product Description

- Brightline's 450 Power Driver low-voltage control system facilitates an easy-to-set-up lighting system for video applications. Stand-alone systems are quoted with a DMX console and wall-mounted playback station (CTRL-WS-LV-SR516). Utilizing the DMX console, or another device with DMX output, set each module to the desired dimming level and record as an individual scene. When using the CTRL-WS-LV-SR516 you can record up to 16 individual scenes.
- The 450 Power Driver ships configured for field operation.
- If there is more than one 450 Power Driver within the system, the installer will need to link the 450 Power Drivers together with provided DMX Cable.
- All components necessary for operation of the 450 Power Driver are included:
 - (1) 450 Power Driver
 - ST-COMBI connectors
 - (1) 1-foot 5-pin DMX

580 Mayer Street - Building # 7 - Bridgeville, PA 15017 USA

Phone: 1.412.206.0106

www.brightlines.com

Operating Mode

Each 450 Power Driver is configured to the required operating mode. If there is more than one 450 Power Driver refer to DMX addressing information below.

A separate 450 Power Driver is required for each fixture type in the installation. If the device is inadvertently reset to factory settings, call Tech Support at 1-412-206-0106 ex.113 or email techservice@brightlines.com for detailed instructions to re-configure the device for use with Brightline fixtures.

Setup

Locate your 450 Power Driver in a control cabinet or 19-in rack (rack screws not included).

Multiple 450 Power Drivers can be linked with the DMX Thru (LED Sync Thru) jack and the included DMX cable.

Configuring DMX Starting Address

All 450 Power Drivers ship with factory configured settings so that the default DMX starting address is 1.

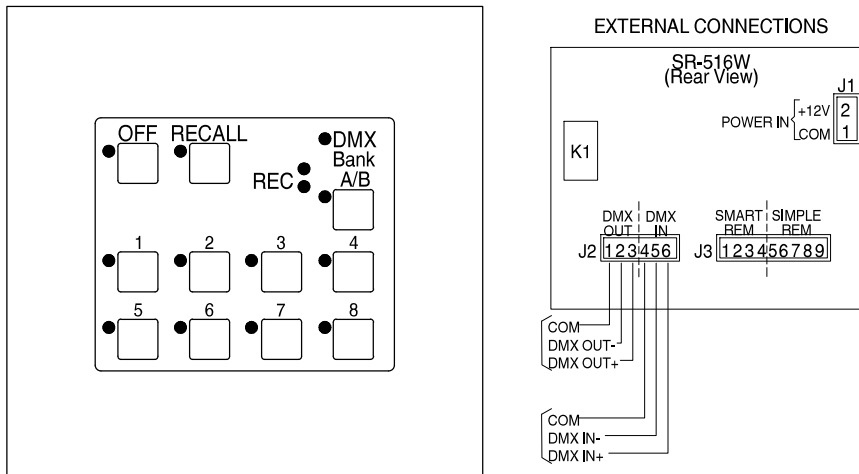
Testing Fixtures after Installation

To test that fixtures are receiving power prior to connecting to a DMX controller:

1. Connect all fixtures and devices then power on your 450 Power Driver.
2. Connect DMX console, use sliders to test/set scenes.

Connecting a Wall Station

The CTRL-WS-LV-SR516 wall station comes with all necessary parts to integrate into the stand-alone low-voltage control system. To connect the CTRL-WS-LV-SR516 to the 450 Power Driver, run the RJ45 to bare lead cable from the wall station to the DMX IN port on the back of the 450 Power Driver, or to a DMX gateway networking device for integration with other controls. (see the **Brightline CTRL-WS-LV-SR516 Overview** for wiring instructions at the wall station). Ensure that the wall station is in line between the controller and the 450 Power Driver for proper operation. See the **Brightline CTRL-WS-LV-SR516 Overview** for more detail.

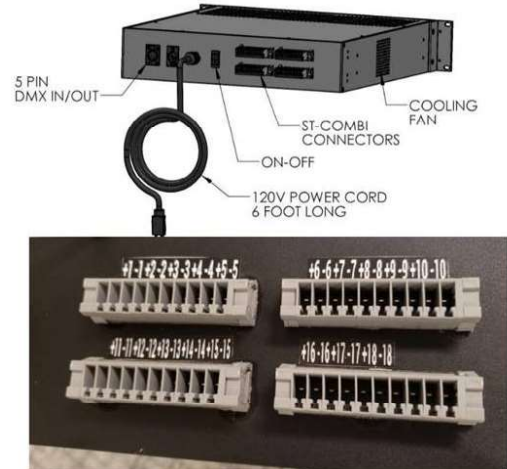


System Integration

A DMX IN signal is required for integration with non-Brightline provided control systems. A DMX 5-Pin (M) to RJ45 adaptor is provided by Brightline for convenience. Simply connect the control system to the DMX IN port. Consult manufacturers' documentation for setup and integration instructions.

Operating Mode

Prior to shipment each 450 Power Driver is configured to the required operating mode.



Connecting Fixtures

Up to (18) modules/fixtures can connect per 450 Power Driver.

Brightline's low-voltage fixtures cannot daisy chain. Each fixture must homerun back to the 450 Power Driver.

Brightline's low-voltage fixtures ship with a budgeted length of 75-ft of 16AWG single pair wiring per fixture. Wire is provided as a coil, allowing for custom length measurements during installation.

(4) 10 position ST-COMBI connectors are provided for easy setup.
Note: the last 2 positions are not used.

To connect fixture modules:

1. Measure, trim, and run wiring (1 wire run per fixture).
2. To locate fast connect wire nuts, remove the fixture's cover plate with strain relief attached.
3. Feed wire through the strain relief and insert into the wire nut.
4. Homerun wiring back to the 450 Power Driver and insert into the provided ST-COMBI connectors.



WARRANTY

Brightline guarantees all its manufactured LED products to be free from defects in materials and workmanship for a period of three (3) years from the date of shipment.

PROCEDURES

If any product is found to be unsatisfactory under this warranty, the buyer must notify **Brightline** immediately. Once a course of action has been determined, if it is necessary to return the product to **Brightline** a Return Authorization (RA) will be issued. Ship the product directly to **Brightline**, 580 Mayer Street, Building #7, Bridgeville, PA 15017. The RA number should be marked on the shipping carton. The unit will be replaced or put into proper operating condition, free of all charges. The correction of any defects through repair or replacement by **Brightline** shall constitute fulfillment of all obligations and liability of **Brightline** to the buyer under this warranty and the contract of sale.

DISCLAIMERS

Brightline is not responsible for damage to its products caused by improper installation, maintenance, or use; by improper electrical hookups; or by unauthorized repairs.

Failure to notify **Brightline** of unsatisfactory operation or any improper or unauthorized installation, maintenance, use, repairs, or adjustments shall terminate the warranty and **Brightline** shall have no further responsibility under the warranty.

Brightline shall not be liable for special or consequential damages in any claim, action, suit, or proceeding arising under this warranty or contract of sale, nor shall **Brightline** be liable for claims for labor, loss of profits or goodwill, repairs, or other expenses incidental to replacement. **Brightline** makes no other warranty of any kind whatsoever, expressed or implied, and all implied warranties of merchantability and fitness for a particular purpose that exceed the obligation specifically described in this warranty are hereby disclaimed by **Brightline** and excluded from this agreement.

All shipments, unless otherwise noted, are F.O.B. factory.

The customer is advised to inspect for shipping damage, apparent and/or hidden.

If detected, notify the transportation company and file your claim.