

Use

Ideal for transforming standard workspaces into video centers to foster spontaneous collaborations.

Construction

The fixture housing is made of formed steel and aluminum. The heat sink is made of 6063-T5 aluminum extrusion. Cover is made of ABS/PC Black Finish.

Fixture Body Finish

Low-gloss Jet Black finish (Ral #9005, 20% Gloss) is standard.

Power & Control

Power cord (6-ft) and dimmer wheel are located on the back of fixture. Operational voltage is universal, 120 - 230V.

LED Technology

The fixture utilizes mid power 3500°K CCT LEDs with high quality illumination (95+ CRI) for videoconferencing applications. Power consumption per fixture is 33 watts.

Fixture Features

Each fixture comes with an integral Black 0.5-in x 0.5-in eggcrate louver and glare filter. The fixture pans and tilts for focusing.

Accessories

Credenza base plate is included. Telescoping wall-mount bracket (p/n - CME2/WM) is available separately. Finish to match fixture.

Fixture Dimensions and Weight

Credenza Mount

Fixture - 23-in long x 3.5-in diameter
(584-mm long x 89-mm diameter)
Base Plate - 7-in diameter x 0.125-in thick
(178-mm diameter x 3.2-mm thick)
Fixture Weight: 8-lbs (3.63-kg)

Wall Mount

Fixture - 23-in long x 3.5-in diameter
(584-mm long x 89-mm diameter)
Depth with Wall Bracket adjustable 6- to 11-in
(152.4-mm to 279.4-mm)
Fixture Weight: 9.5-lbs (4.31-kg)

See shipping information chart for gross weights and dimensions.



Clarity
for
Collaboration



580 Mayer Street - Building # 7 - Bridgeville, PA 15017 USA

Phone: 1.412.206.0106

www.brightlines.com

 **brightline.**

© 2021 Brightline LP All Rights Reserved

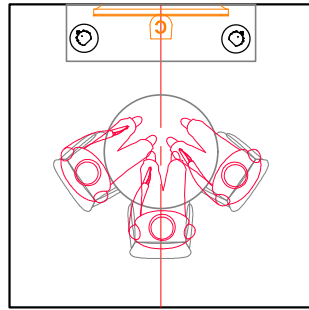
Specifications are subject to change without notice.

01/20/22

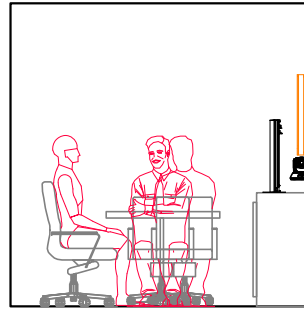


Fixture Placement Recommendations

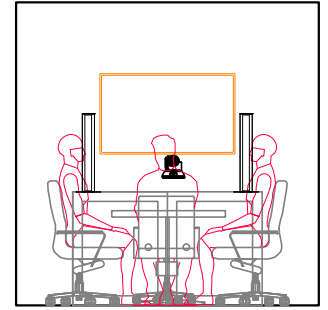
Dual Credenza Mount



Top View

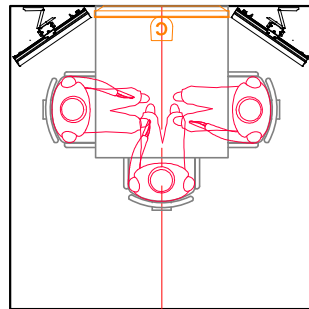


Side View

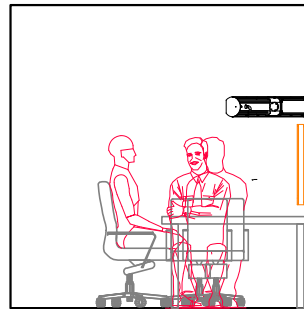


Elevation View

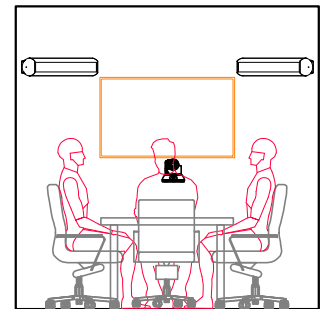
Dual Wall Mount



Top View

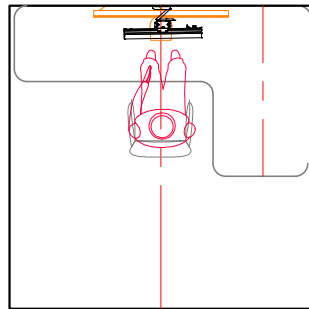


Side View

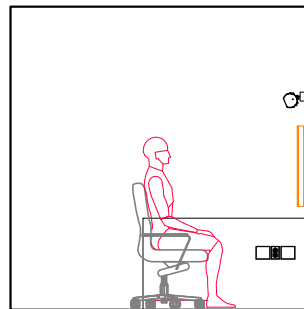


Elevation View

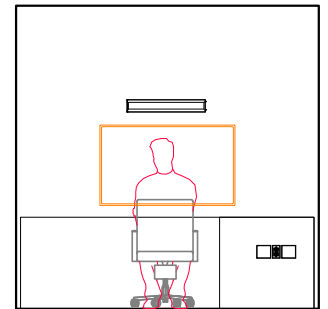
Single Wall Mount



Top View



Side View



Elevation View