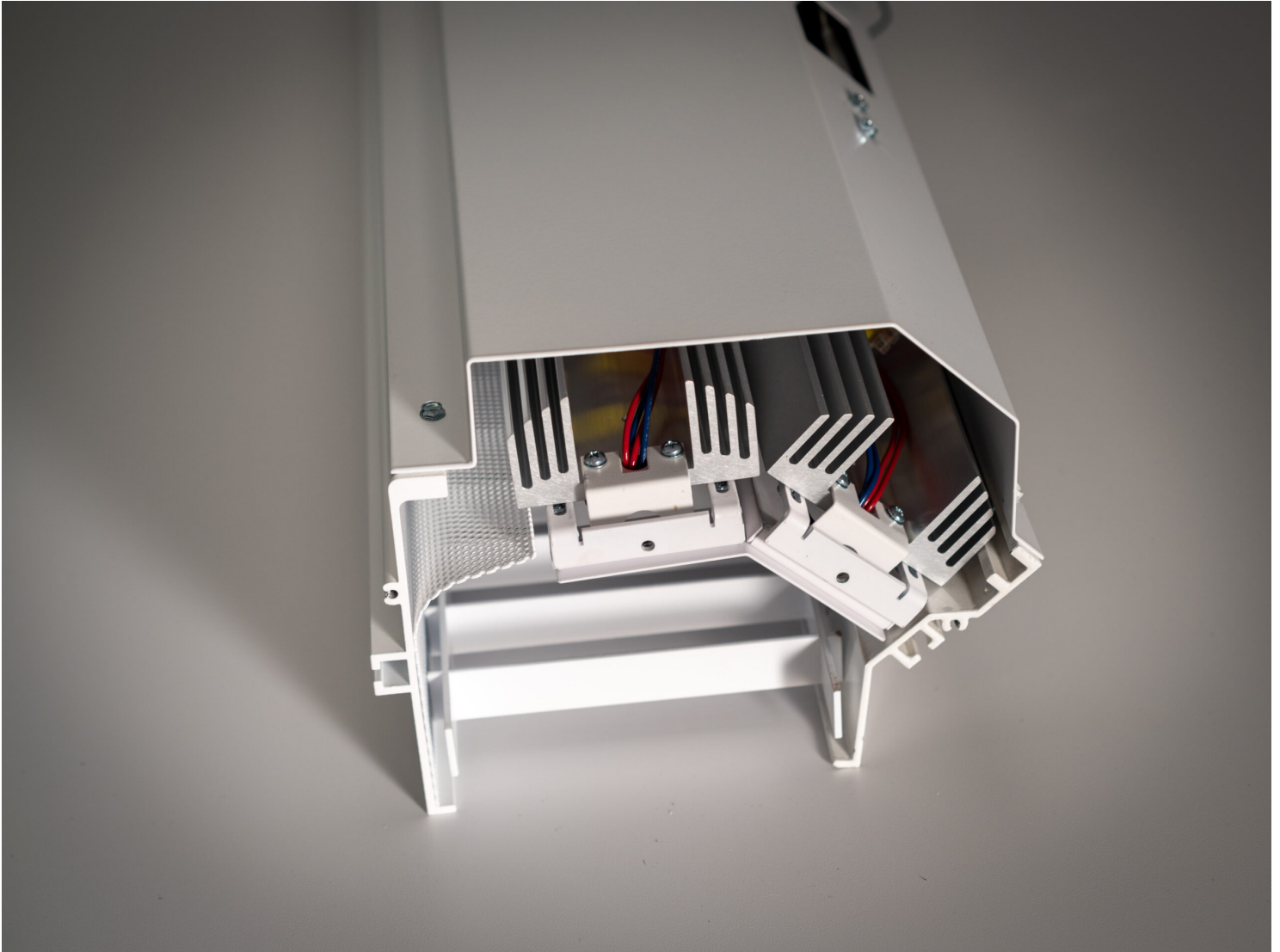




LED VideoPlus

Videoconference Fixture Plus Task Light



Construction

The fixture housing is made of 6063-T5 aluminum extrusions. The video light provides vertical illumination for videoconferencing while direct task light provides general room illumination. As an option, fixtures can be configured with task or video lights only.

Fixture Body Finish

Low-gloss Signal White finish (Ral #9003, smooth satin).

Drivers

Directional Beam Angle

The two video components are positioned at a 45° angle. The task component emits a 55° beam angle. The beams overlap slightly, creating a combined field of light.

Accessories

Louvers provide complementary aesthetics to most architectural styles. Louvers available in white or custom finish. Glare reduction filter is integral to the fixture. 45°-angle mounting panel is available for 2-ft fixtures only.

580 Mayer Street, Building #7, Bridgeville, PA 15017, USA

Brightlines.com | 1-412-206-0106



LED VideoPlus

Videoconference Fixture Plus Task Light

All drivers are high-frequency electronic, with a power factor >.90, THD <20%, and a Class A sound rating. Drivers are mounted in the fixture module housing. The power and control inputs are on the back of fixtures.

Operational voltage is universal, 120 - 277V.

Low Voltage Control

19" Rack-mounted driver is available with up to 600w of power. Multiple drivers can be linked for any size project. Low voltage control available for 120-230V applications.

Power Over Ethernet Control

Fixtures are available with PoE control nodes. Consult with factory for specification of complete PoE systems. PoE control available for 120-230V applications.

LED Technology

The fixture utilizes mid-power LEDs with high-quality illumination (>97 CRI) for videoconferencing and general lighting applications. Each 2-foot fixture has a power consumption of 32 watts per channel, each 4-foot fixture has a power consumption of 64 watts per channel.

Fixture Dimensions, Aperture and Weight

2-foot: Inch 23.75-in x 9.85-in x 7.50-in
(603.25-mm) x (248.92-mm) x (190.50-mm)

Aperture: 5.00-in x 23.55-in (127.00-mm) x (598.17-mm)

Fixture weight: 30-lbs* (13.61-kg)

4-foot: Inch 47.75-in x 9.85-in x 7.50-in (1212.85-mm) x
(248.92-mm) x (190.50-mm)

Aperture: 5.00-in x 47.55-in (127.00-mm) x (1207.77-mm)

Fixture weight: 60-lbs* (27.22-kg)

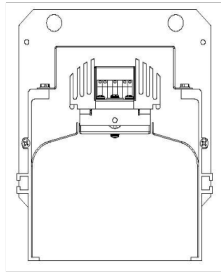
* Weight provided is for Double VideoPlus configuration; consult factory for weights for other configurations. Weight is approximate.

See shipping information chart for gross weights and dimensions.

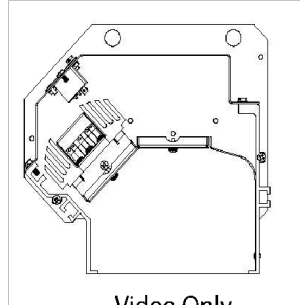
Certifications

ULcUL

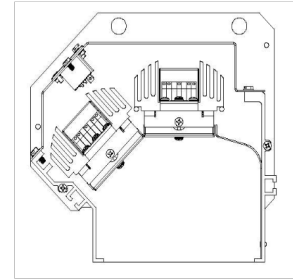




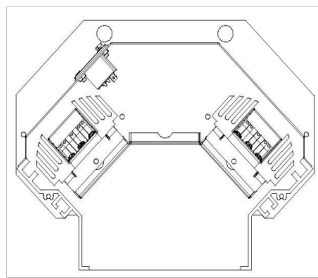
Task Only



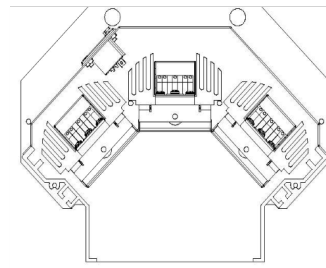
Video Only



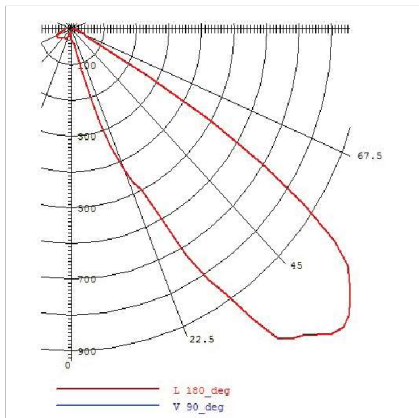
Video + Task



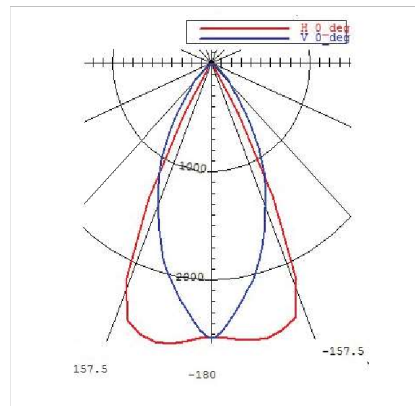
Double Video



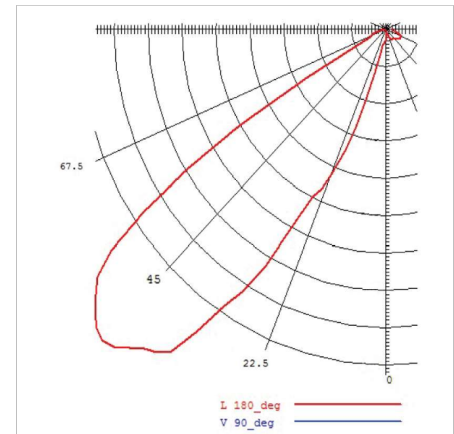
Double Video + Task



Video Light with Lens
45° vertical light distribution



Task Light
90° horizontal light distribution



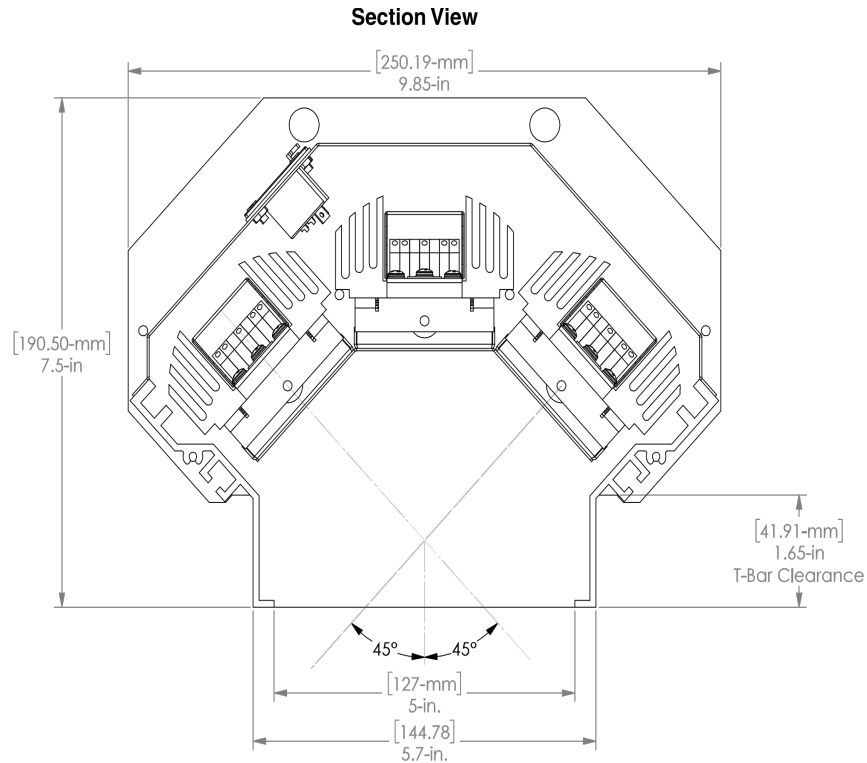
Video Light with Lens
45° vertical light distribution

LVP	Video Plus	Length							
		2 = Two Foot		Dimming Protocol	Color Temperature	Video LED	Task LED	Video LED	Panel Option (2-ft fixtures only)
		4 = Four Foot		A = 0-10V	30=3000K / 97+ CRI	V = Yes	T = Yes	V = Yes	I45 = Imperial 45°
				E = Lutron LDE1	35=3500K / 97+ CRI	0 = No	0 = No	0 = No	M45 = Metric 45°
				X = DALI	40=4000K / 97+ CRI				
				L = Low Voltage DMX (remote driver)	50=5000K / 97+ CRI				
				Z = PoE (60W)*	VW=3000K - 5600K / 97 CRI				

Notes:

NOTE: Variable White (VW) available on DALI and DMX fixtures only

*Consult factory to ensure PoE system compatibility

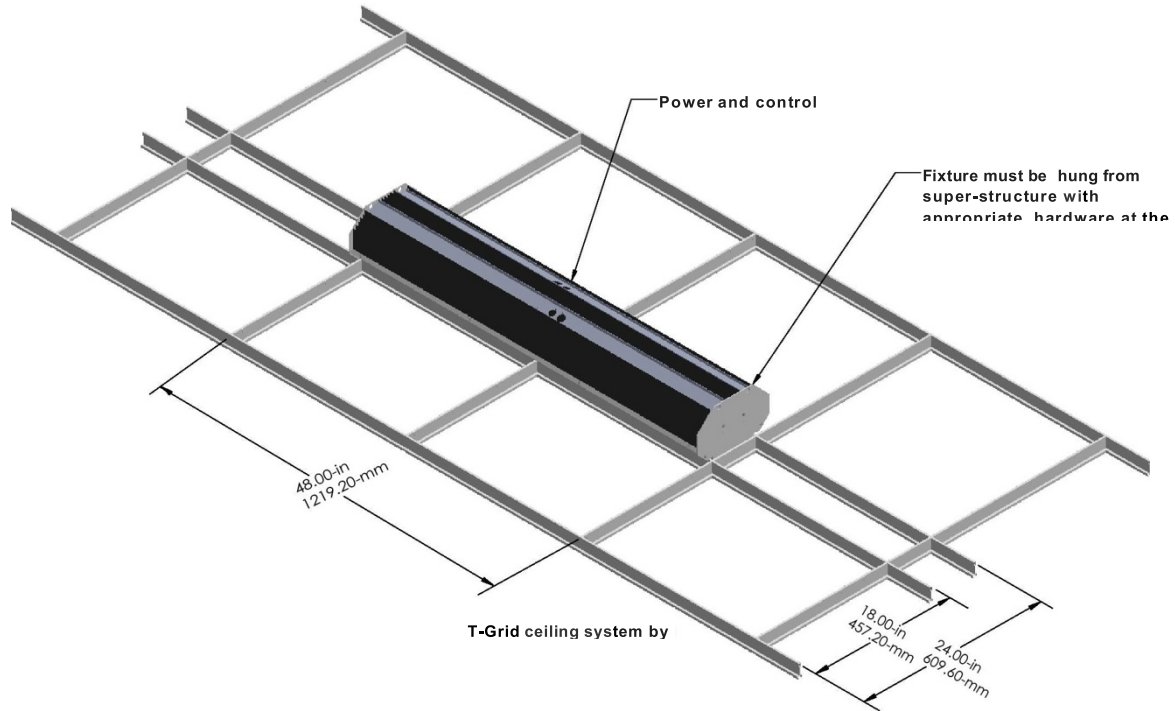


580 Mayer Street, Building #7, Bridgeville, PA 15017, USA

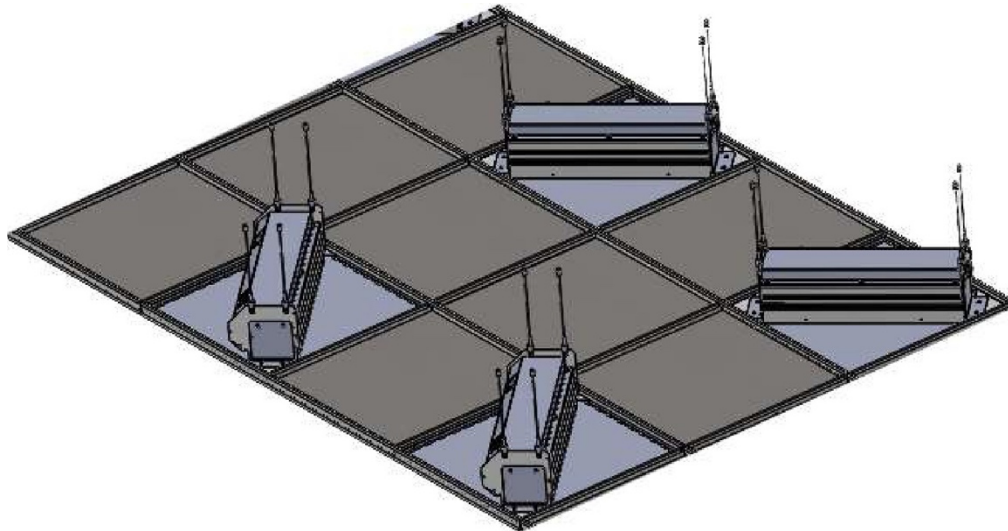
Brightlines.com | 1-412-206-0106



Standard Ceiling Grid Installation



45°-angle Fixture Ceiling Grid Installation



580 Mayer Street, Building #7, Bridgeville, PA 15017, USA

Brightlines.com | 1-412-206-0106

