



brightline
Evolutionary Lighting Systems



L1.3x

Superior Illumination, Infinite Possibilities.



Construction

- 14-gauge formed aluminum sheet metal construction. Heat sink is made of aluminum. The driver can be serviced without removing the light engine.

Electrical

- A removable 12-ft (3.7-m) power cord with a NEMA 5-15P plug is standard. Other plug types are available as options. The fixture is protected by an externally removable fuse with onboard spare. Power draw is 135 watts. Drivers All LED Drivers are high-frequency electronic, with a power factor $>.94$, THD $<10\%$, and a Class A sound rating. LED Drivers are mounted internally to the fixture housing. The power and control inputs are on the back. The dimming protocol is DMX.

Accessories

- A variety of accessories are available. Black finish on accessories is standard, with custom color available on request.

LED Technology

- The fixture utilizes high CRI LEDs to emit high quality illumination (>97 CRI) for broadcast and videoconferencing applications.

Mounting

- Fixture has a 10-gauge horizontal or vertical extruded aluminum yoke, with palm handles standard. Each fixture is supplied with a 2-inch OD C-clamp with an integral safety cable. Compact yoke also available.

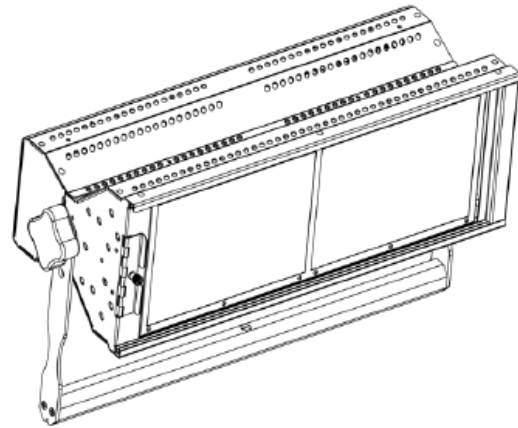
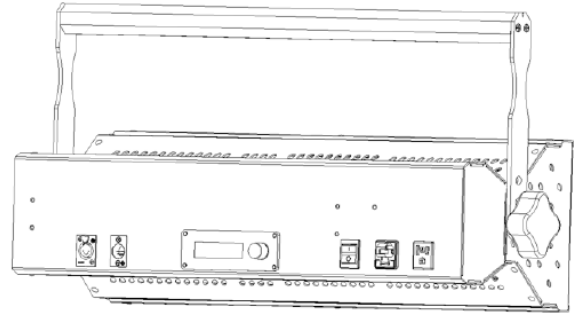
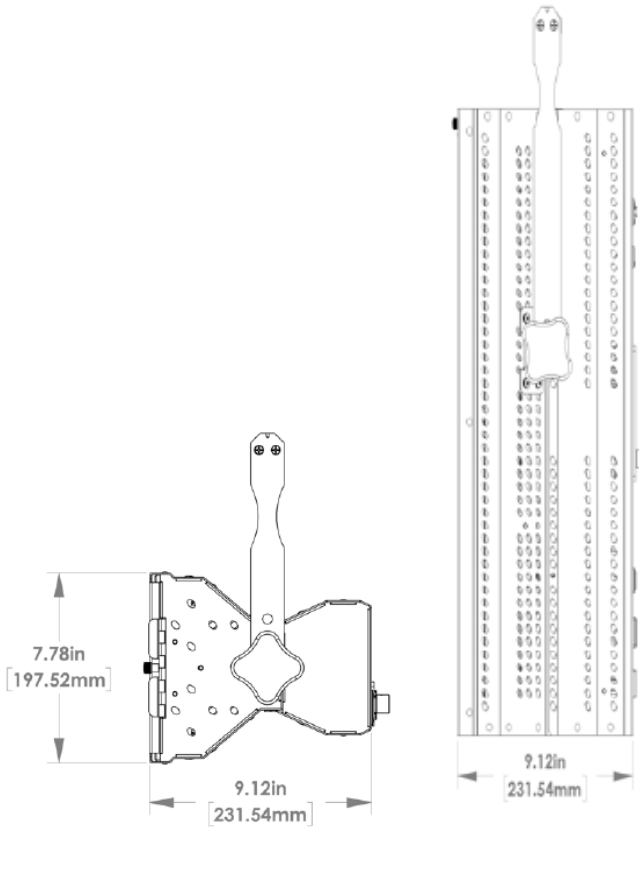
Fixture Body

- Finish Metallic cool bronze finish is standard, with custom colors available.

Fixture Dimensions and Weight

- 24.27-in (616.50-mm) wide x 12.49-in (317.16-mm) high x 9.12-in (231.66 mm) deep. Overall width of the fixture increases to 27.51-in (698.63-mm), with the palm handles included. Fixture Weight is 17-lb (7.1-kg).

See shipping information chart for gross weights and dimensions.



L	1.3	X	
SeriesOne	Power	Dimming Type	Voltage
	135 Watts	DMX	1 = 120V
			2 = 230V

Color Temperature
32 = 3200K/97 CRI
56 = 5600K/97 CRI

Yoke Type
H = Horizontal
V = Vertical

