



SeriesONE L1.4 LED Studio Fixture

Brilliance Meets Efficiency



Construction

- 14-gauge formed aluminum sheet metal construction. Heat sink is made of aluminum extrusion. The driver can be serviced without removing the light engine.

Fixture Body Finish

- Metallic steel gray finish is standard, with custom colors available.

Electrical

- A removable 12-ft (3.7-m) power cord with a NEMA 5-15P plug is standard. Other plug types are available as options. The fixture is protected by an externally removable fuse with onboard spare. Power draw is 240 watts.

Drivers

- All LED Drivers are high-frequency electronic, with a power factor $>.94$, THD $<10\%$, and a Class A sound rating. LED Drivers are mounted internally to the fixture housing. The power and control inputs are on the back. The dimming protocol is DMX/RDM.

LED Technology

- The fixture utilizes high CRI LEDs to emit high quality illumination (>97 CRI) for broadcast and videoconferencing applications. Variable CCT from 3200K - 5600K.

Mounting

- Fixture has a 10-gauge horizontal or vertical extruded aluminum yoke, with palm handles standard. Each fixture is supplied with a 2-inch OD C-clamp with an integral safety cable. Compact yoke also available.

Accessories

- A variety of accessories are available. Black finish on accessories is standard, with custom color available on request.

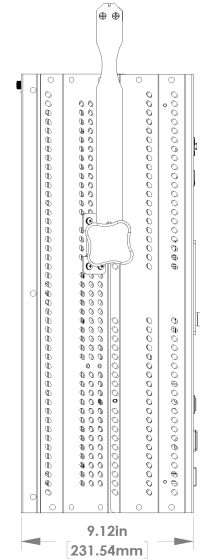
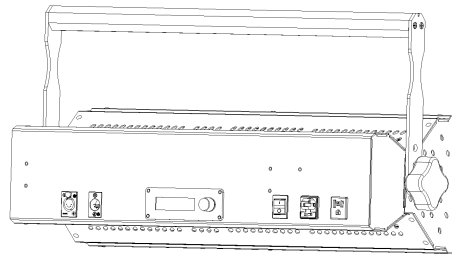
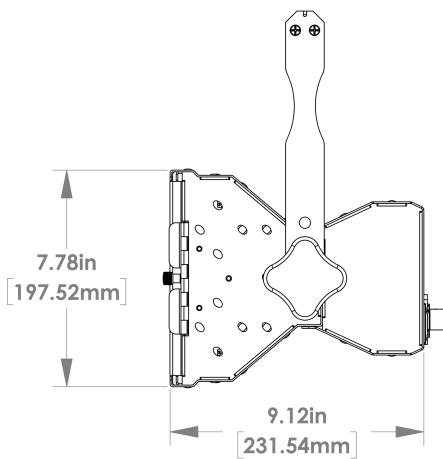
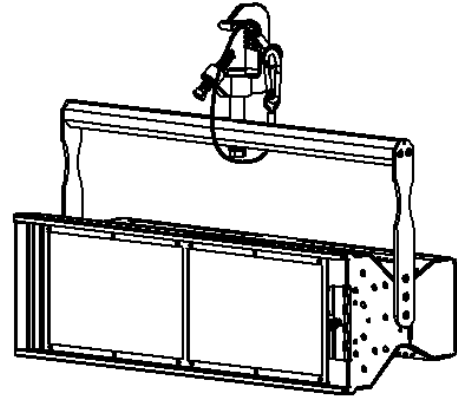
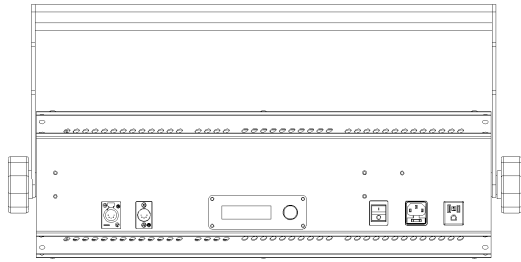
Fixture Dimensions and Weight

- 24.27in (616.50mm) wide x 12.49in (317.16mm) high x 9.12in (263.41mm) deep. Overall width of the fixture increases to 27.51in (698.63-mm), with the palm handles included. Fixture Weight is 25lb (11.3kg)

See shipping information chart for gross weights and dimensions.

Certifications

- UL/cUL



L	1.4	X	
SeriesOne	Power	Ballast Type	Voltage
	200 Watts	DMX	1 = 120 V
			2 = 230 V

-	VW	-
	Color Temperature	
	3200K to 5600K CCT	

-		-
	Yoke Type	
	H = Horizontal	
	V = Vertical	

Custom Finish available.
RF (wireless radio frequency control) available.
Contact Customer Service for model numbers.

580 Mayer Street, Building #7, Bridgeville, PA 15017, USA

Brightlines.com | 1.412.206.0106

