



brightline
Evolutionary Lighting Systems



Flex-D Drop-Pan-Tilt

Precision Lighting for Every Setting



Construction

The fixture housing is made of formed, cold-rolled sheet steel. The heat sink is made of 6063-T5 aluminum extrusion.

Fixture Body Finish

Low-gloss Signal White finish (Ral #9003, 20% Gloss) is standard, with custom colors available.

Drivers

All drivers are high-frequency electronic, with a power factor $>.90$, THD $<20\%$, and a Class A sound rating. Drivers are mounted in the fixture module housing. The power and control inputs are on the back of fixtures. Operational voltage is universal, 120 - 277V.

Low Voltage Control

19" Rack-mounted driver is available with up to 600w of power. Multiple drivers can be linked for any size project. Low voltage control available for 120-230V applications.

Power Over Ethernet Control

Fixtures are available with PoE control nodes. Consult with factory for specification of complete PoE systems. PoE Control available for 120-230V applications.

LED Technology

The fixture utilizes mid-power LEDs with high-quality illumination (>97 CRI) for videoconferencing and general lighting applications. Each fixture module has a power consumption of 32 watts.

Directional Beam Angle

The module components are adjustable ± 55 degrees.

Fixture Carriage (Module)

One module fixture is available. Each module comes with a spot or flood beam control option.

Fixture Dimensions and Weight

Inch Panel: 2-ft x 2-ft

23.75- x 23.75- x 7-in

(603.25- x 603.25- x 115.3-mm)

Metric Panel: 600-mm x 600-mm

595- x 595- x 115.3-mm

(23.43- x 23.43- x 7-in)

Fixture Weight (1 module): 16.00 lbs (7.26-kg)

Fixture Weight (2 module): 24.51-lbs (11.12-kg)

Inch Panel: 1-ft x 2-ft (only available with 2 modules)

11.75- x 23.75- x 7-in

(298.45- x 603.25- x 115.3-mm)

Metric Panel: 300-mm x 600-mm

298- x 595- x 115.3-mm

(11.71- x 23.43- x 7-in)

Fixture Weight: 21.45-lbs (9.73-kg)

Single Module: 6-in x 2-ft (inch only)

(5.75- x 23.75- x 7-in)

(146.05- x 603.25- x 115.3-mm)

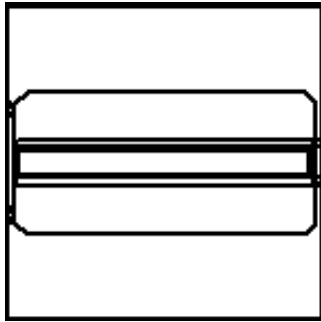
Fixture Weight: 9.50-lbs (4.31-kg)

See shipping information chart for gross weights and dimensions.

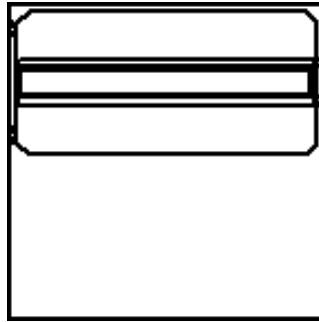
Certifications

MET

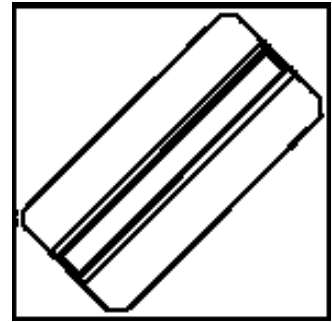
Sample Fixture Configurations



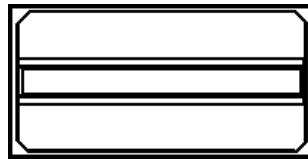
Center Mount



Offset Mount



45° Mount



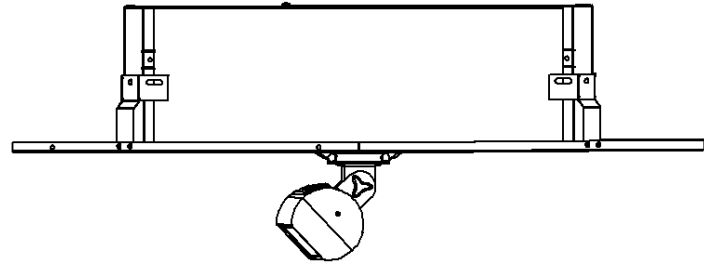
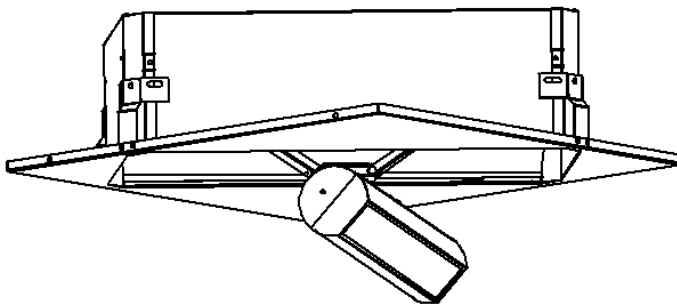
Mini Mount

One Module Part Numbers

FLXT	D	-		-		-		
Flex-T	DROP-PAN-TILT		Dimming/Control		Optics		Sizing	Panel Options
			A = 0-10V (Analog)	Color Temperature/Color Rendering Index	S=Spot		I=Inch	MM = Mini Mount
			E = Lutron LDE1	30 = 3000K / 97 CRI	F=Flood		M=Metric	CM = Center Mount
			X = DALI	35 = 3500K / 97 CRI				45 = 45° Mount
			B = Low Voltage DMX (AV/720)	40=4000K / 97 CRI				OM = Offset Mount
			Z = PoE (60W)*	50=5000K / 97 CRI				DD = Double Dome
			D = DMX/RDM	VW = 3000K - 5600K / 97 CRI				

NOTE: When specifying "B" for low-voltage, always select "VW" for color temperature. VW available on DALI and DMX fixtures.

*Consult factory to ensure PoE system compatibility.



580 Mayer Street, Building #7, Bridgeville, PA 15017, USA

Brightlines.com | 1.412.206.0106

