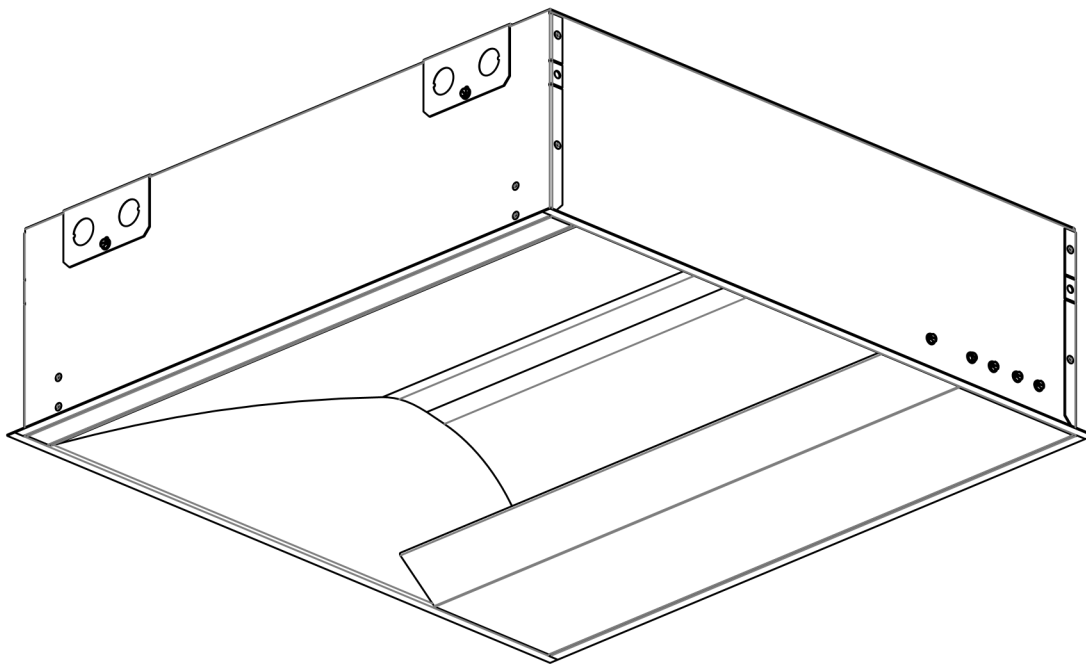


# LVCI Fixture

## Operation and Installation Guide



580 Mayer Street, Building #9, Bridgeville, PA 15017, USA

Brightlines.com | 1-412-206-0106



## Safety

- Fixture installation should be performed in accordance with local and national codes. All fixtures must be properly grounded.
- To prevent fire or electric shock, do not expose the fixtures to water or moisture. Wall Wash fixtures are listed for indoor use only.
- Do not attempt to dim a non-dim fixture. Do not attempt to operate a fixture without lamps installed, as this could damage the ballast(s).
- Do not attempt to change the lamps on a fixture that is energized, or to work with your hands near an exposed socket that is energized.
- A qualified technician should perform service on fixtures. Do not remove the ballast cover until the unit has been de-energized.
- In case of lamp failure:
  1. Turn the fixture power off.
  2. Wait 30 seconds for the ballast to reset.
  3. Install the new lamp(s).
  4. Turn the fixture back on.

## Owner's Record

- The serial number of this product can be found on the top of the ballast cover. You should note the model number and the serial number in the space provided and retain this book for future reference as a permanent record of your purchase.

**Model No.** \_\_\_\_\_

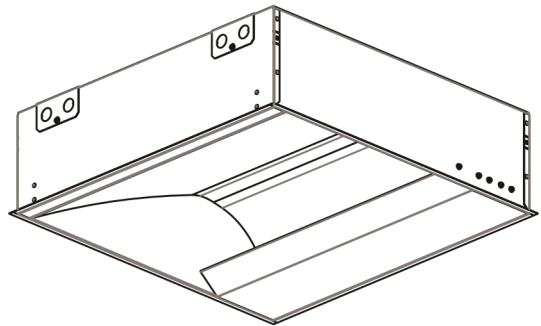
**Serial No.** \_\_\_\_\_

**Date of Purchase** \_\_\_\_\_

## Product Description

### LVCI Fixtures

LED, indirect fixture intended for use in videoconference applications.



580 Mayer Street, Building #9, Bridgeville, PA 15017, USA

Brightlines.com | 1-412-206-0106



## Specifications

### **Housing:**

20-gauge (0.04-in), cold-rolled steel housing. Fixture may be used in a 24-in lay in grid ceiling or cut into drywall or plaster (requires drywall frame kit).

### **Reflector:**

24-gauge (.020-in) WhiteOptics aluminum 96% specular reflectance

### **Finish:**

Fixture body is painted with high-gloss, electrostatically applied white enamel finish.

### **LED Drivers:**

Control - Analog, DALI

Input: 120-277V, 50/60Hz, .35 AMPS

Please contact the factory for exact ballast specification and custom configurations.

### **Dimensions:**

The overall dimension of the fixture body is 23.75- x 23.75- x 7.08-in [603.25- x 603.25- x 180-mm]. The approximate weight of the fixture is 18 lb [8.2 kg].

## Installation

1. Unpack the fixtures. To prevent damage, install the fixtures before installing their lamps.
2. Prepare the line-voltage wiring to the fixtures. Depending on building conditions, it may be necessary to install the power and control wiring before the fixture is placed in the ceiling. Ensure that the supply voltage matches that required by the ballasts. To install the power feed, remove the knockouts as needed and install the correct type of power cabling and strain relief (not provided). Connect the wires from the feed using wire nuts, observing the wire color-coding, and re-install the knockout plate. **Brightline** fixtures intended for the North American market use Black/White/Green wires respectively for Line/Neutral/Ground; fixtures shipped to other locations use Brown/Blue/Green-Yellow for Line/Neutral/Ground. You may want to install sufficient slack in the power cable so that, if necessary, the fixture can be moved to an adjacent ceiling opening.
3. These fixtures are not Insulated Ceiling (IC) rated. Maintain the proper distance from insulation (3 inch [76 mm] in the US and Canada).

580 Mayer Street, Building #9, Bridgeville, PA 15017, USA

Brightlines.com | 1-412-206-0106



4. If the fixture requires low-voltage control, the proper wiring must be run to each fixture. Connect the control wires inside the fixture, observing the proper color-coding. Install the control wiring above the ceiling. (See the *Control Wiring* section below.)
5. Fixtures can be mounted in two ways: either flush-mount in a “hard” ceiling, such as plaster or drywall (drywall frame kit required, see supplemental manual for more information); or mounted in a T-grid acoustical-tile ceiling.
  - **T-Grid Ceilings:** Prepare the T-Grid to receive the fixtures. Fixtures are available for 2- x 2-ft grid spacings. Depending on the ceiling layout, it may be necessary to add additional track sections and/or prepare different sized ceiling tiles. For ease of installation, a minimum of 10 in (200 mm) of clear height above the track is recommended. Make sure that the T-Grid is sufficiently braced to accept the weight of the fixtures. Place the fixtures into the correct openings in the ceiling grid in accordance with plans provided by **Brightline** or the local architect, consultant or engineer.

## Installation

5A. Install “safety wires” on the tabs on the sides of the fixtures and attach to the building structure, in compliance with local codes (Figures 1 and 2). **Brightline** recommends not relying on the T-track alone to hold the weight of the fixtures.

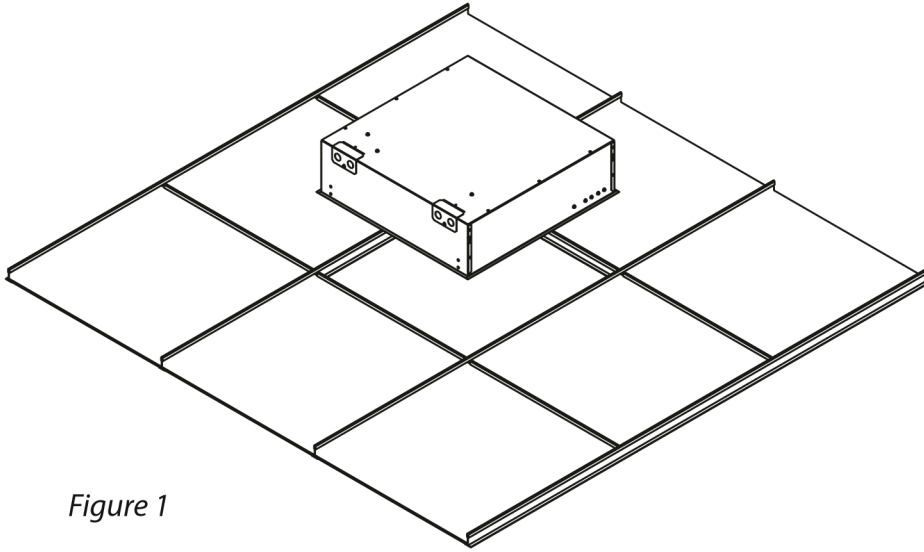


Figure 1

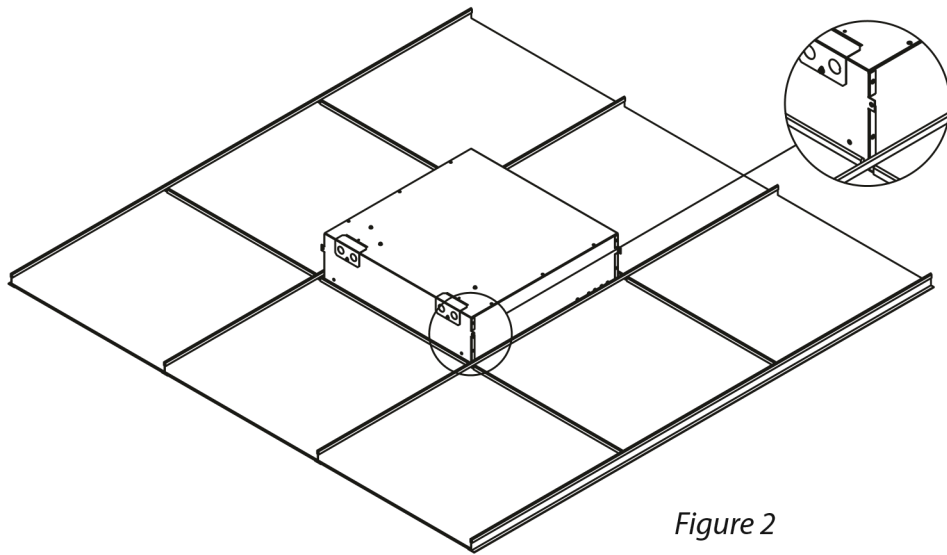


Figure 2

**Note: Use screwdriver to bend tabs outward to install safety wires.**

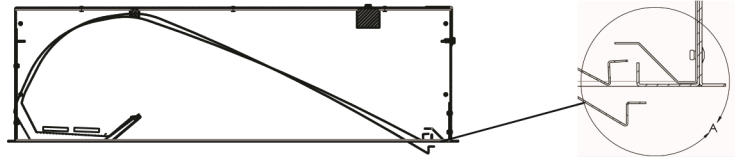
## Ballast Replacement Instructions

580 Mayer Street, Building #9, Bridgeville, PA 15017, USA

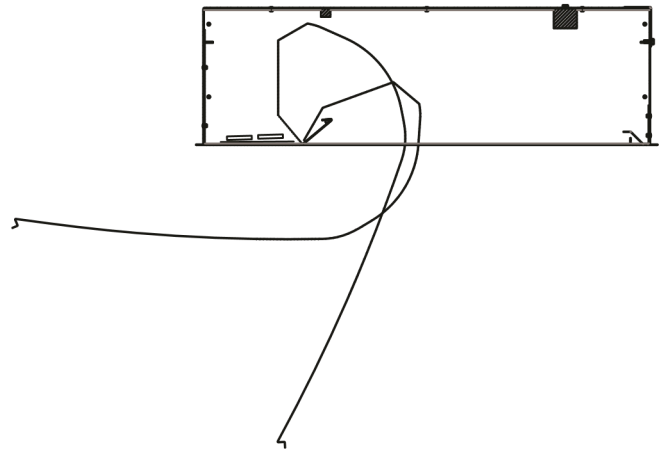
Brightlines.com | 1-412-206-0106



1. Unclip the reflector and pull it down.



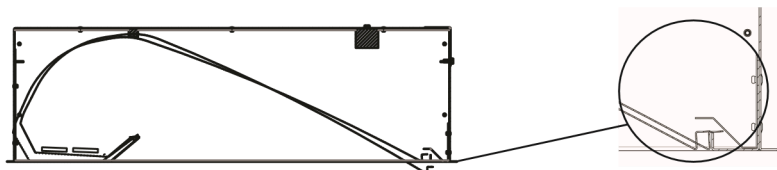
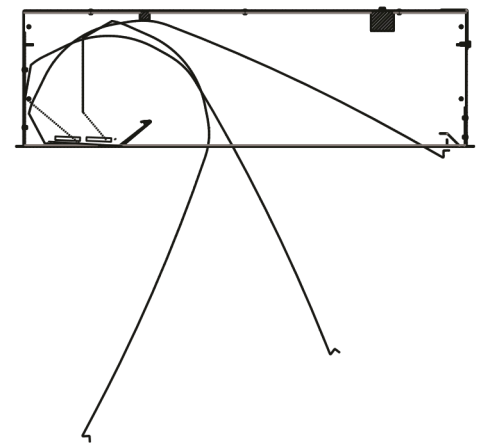
2. Pull the reflector downward and rotate the reflector until it can be removed from the housing.



3. With access, perform maintenance.



4. Place the reflector into housing vertically (pointing the housing). As you are rotating, you may need to reach towards you if the reflector stops rotating.



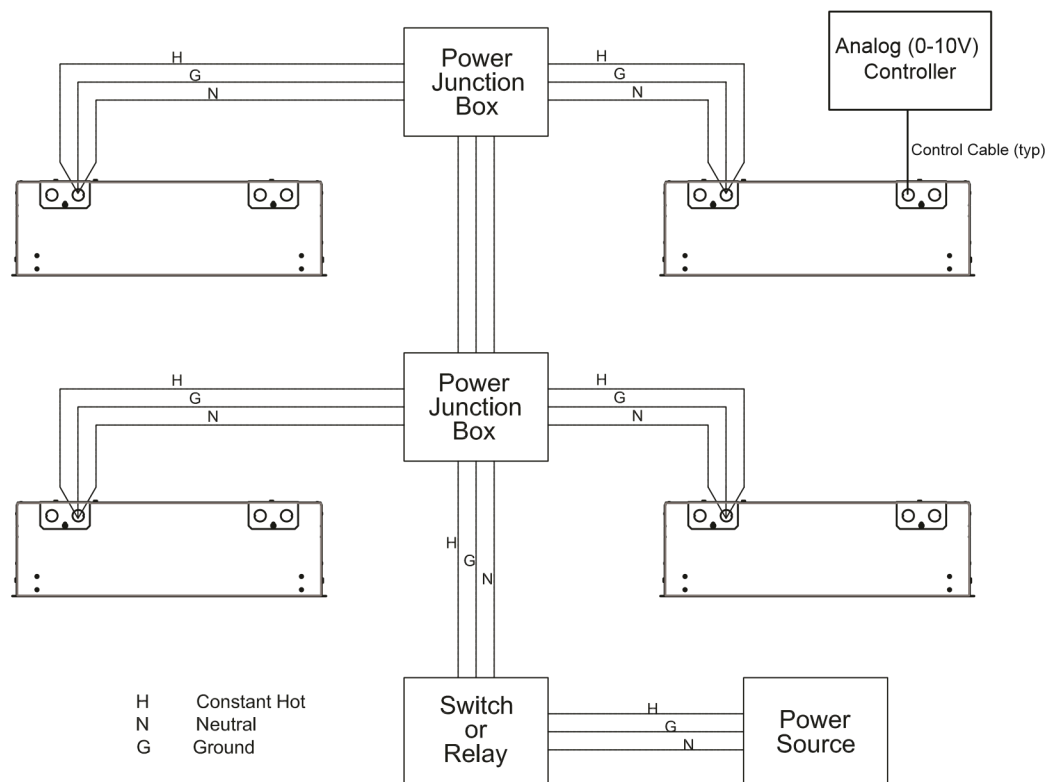
580 Mayer Street, Building #9, Bridgeville, PA 15017, USA

Brightlines.com | 1-412-206-0106



- Slide the reflector backwards and clip it back into the housing.

## Analog (0-10V) Riser Diagram



580 Mayer Street, Building #9, Bridgeville, PA 15017, USA

Brightlines.com | 1-412-206-0106



Note: Control cable shown only once for clarity

The fixture is wired to a source of AC power (Hot/Neutral/Ground) and an analog dimming control (not provided by Brightline).

## Trouble Shooting Guide

Problem	Possible Cause	Solution
Light flickers or drops out at low end.	Driver not configured properly.	Consult factory.
Lights are flashing or flickering.	Loose wiring connection or insulation may be covering fixture.	Make sure wiring is secure. Remove any insulation surrounding fixture. Consult factory.

## Maintenance

The LEDs are rated for up to 36,000 hours. However, as with all LEDs there will be some drop-off in intensity as they approach their rated life. We recommend that as the LED intensity begins to drop off, or when the life expectancy is reached, all room fixtures are replaced, as a group.

## WARRANTY

**Brightline** guarantees all its products to be free from defects in materials and workmanship for a period of three (3) years from the date of shipment.

## PROCEDURES

If any product is found to be unsatisfactory under this warranty, the buyer must notify **Brightline** immediately. Once a course of action has been determined, if it is necessary to return the product to **Brightline** a Return Authorization (RA) will be issued. Ship the product directly to **Brightline**, 580 Mayer Street, Building #7, Bridgeville, PA 15017, USA. The RA number should be marked on the shipping carton. The unit will be replaced or put into proper operating condition, free of all charges if under warranty. The correction of any defects through repair or replacement by **Brightline** shall constitute fulfillment of all obligations and liability of **Brightline** to the buyer under this warranty and the contract of sale.

## DISCLAIMERS

**Brightline** is not responsible for damage to its products caused by improper installation, maintenance, or use; by improper electrical hookups; or by unauthorized repairs. Failure to notify **Brightline** of unsatisfactory operation or any improper or unauthorized installation, maintenance, use, repairs, or adjustments shall terminate the warranty and **Brightline** shall have no further responsibility under the warranty. **Brightline** shall not be liable for special or consequential damages in any claim, action, suit, or proceeding arising under this warranty or contract of sale, nor shall **Brightline** be liable for claims for labor, loss of profits or goodwill, repairs, or other expenses incidental to replacement. **Brightline** makes no other warranty of any kind whatsoever, expressed or implied, and all implied warranties of merchantability and fitness for a particular purpose that exceed the obligation specifically described in this warranty are hereby disclaimed by **Brightline** and excluded from this agreement.

All shipments, unless otherwise noted, are F.O.B. factory.

The customer is advised to inspect for shipping damage, apparent and/or hidden. If detected, notify the transportation company and file your claim.

580 Mayer Street, Building #7, Bridgeville, PA 15017 • phone 1.412.206.0106 • fax 1.412.206.0146

[www.brightlines.com](http://www.brightlines.com)

580 Mayer Street, Building #9, Bridgeville, PA 15017, USA

[Brightlines.com](http://Brightlines.com) | 1-412-206-0106

